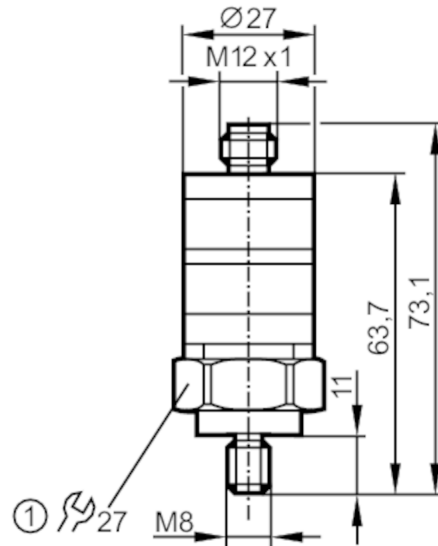




Vibration monitor with intuitive switch point setting

VIBRATION MONITOR



1 Tightening torque 15 Nm
M8 x 1.25 mm



Product characteristics

| | |
|-------------------------------------|---------------|
| Measuring range of vibration [mm/s] | 0...25; (RMS) |
| Frequency range [Hz] | 10...1000 |

Application

| | |
|-------------|------------------------------------|
| Application | Vibration monitor to DIN ISO 10816 |
|-------------|------------------------------------|

Electrical data

| | |
|--------------------------|--------------------------------------|
| Operating voltage [V] | 18...32 DC |
| Current consumption [mA] | < 50 |
| Protection class | III |
| Type of sensor | Microelectromechanical system (MEMS) |

Inputs / outputs

| | |
|------------------------------------|---|
| Total number of inputs and outputs | 2 |
| Number of inputs and outputs | Number of digital outputs: 1; Number of analog outputs: 1 |

Outputs

| | |
|--|---------------------------------|
| Output signal | switching signal; analog signal |
| Electrical design | PNP |
| Number of digital outputs | 1 |
| Output function | normally closed |
| Max. voltage drop switching output DC [V] | 2 |
| Permanent current rating of switching output DC [mA] | 500 |
| Number of analog outputs | 1 |
| Analog current output [mA] | 4...20 |
| Max. load [Ω] | 500 |

VKV021



Vibration monitor with intuitive switch point setting

VIBRATION MONITOR

| | | |
|--|---|-------------------|
| Short-circuit protection | yes | |
| Type of short-circuit protection | yes (non-latching) | |
| Overload protection | yes | |
| Measuring/setting range | | |
| Measuring range of vibration [mm/s] | 0...25; (RMS) | |
| Frequency range [Hz] | 10...1000 | |
| Number of measurement axes | 1 | |
| Accuracy / deviations | | |
| Measuring error [% of the final value] | < ± 3 | |
| Linearity deviation | 0,25 % | |
| Reaction times | | |
| Response time [s] | 1...60 | |
| Software / programming | | |
| Adjustment of the switch point | setting ring | |
| Operating conditions | | |
| Ambient temperature [°C] | -25...80 | |
| Note on ambient temperature | UL application: < 80 °C | |
| Storage temperature [°C] | -25...80 | |
| Protection | IP 67 | |
| Tests / approvals | | |
| EMC | EN 61000-4-2 ESD | 4 kV CD / 8 kV AD |
| | EN 61000-4-3 HF radiated | 10 V/m |
| | EN 61000-4-4 Burst | 2 kV |
| | EN 61000-4-6 HF conducted | 10 V |
| Shock resistance | 400 g | |
| MTTF [years] | 510 | |
| Mechanical data | | |
| Weight [g] | 113.5 | |
| Type of mounting | M8 x 1,25 | |
| Material | PBT; PC; FKM; stainless steel (1.4404 / 316L) | |
| Tightening torque [Nm] | 15 | |
| Displays / operating elements | | |
| Display | Power | LED, green |
| | Switching status | LED, yellow |
| With scale | yes | |
| Operating elements | setting ring | setting ring |
| Remarks | | |
| Pack quantity | 1 pcs. | |

VKV021



Vibration monitor with intuitive switch point setting

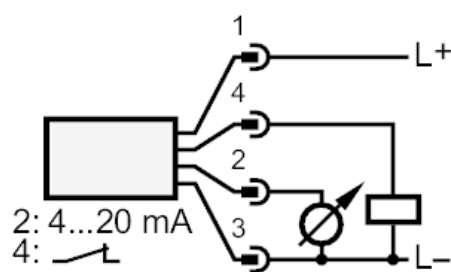
VIBRATION MONITOR

Electrical connection

Connector: 1 x M12; coding: A



Connection



| | |
|---|------------------|
| 1 | L+ |
| 2 | 4...20 mA |
| 3 | GND |
| 4 | Switching output |