

PC3553



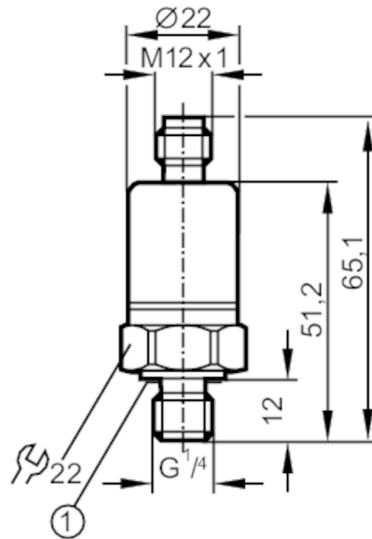
Pressure transmitter

PT-016-SBG14-A-ZVG/US/ IW

Article to be discontinued

Alternative articles: PT5414

When selecting an alternative article and accessories please note that technical data may differ!



1 sealing
Tightening torque 25 Nm



Product characteristics

Number of inputs and outputs	Number of analog outputs: 1
Measuring range [bar]	0...16
Process connection	threaded connection G 1/4 external thread

Application

Application	for industrial applications
Media	liquids and gases
Medium temperature [°C]	-25...90
Min. bursting pressure [bar]	600
Pressure rating [bar]	60
Type of pressure	relative pressure

Electrical data

Operating voltage [V]	8.5...36 DC
Min. insulation resistance [MΩ]	100; (500 V DC)
Protection class	III
Reverse polarity protection	yes

Inputs / outputs

Number of inputs and outputs	Number of analog outputs: 1
------------------------------	-----------------------------

Outputs

Total number of outputs	1
-------------------------	---

PC3553



Pressure transmitter

PT-016-SBG14-A-ZVG/US/ IW

Output signal	analog signal	
Number of analog outputs	1	
Analog current output [mA]	4...20	
Max. load [Ω]	775; ($U_b = 24\text{ V}$; ($U_b - 8,5\text{ V}$) / 20 mA)	
Measuring/setting range		
Measuring range [bar]	0...16	
Accuracy / deviations		
Repeatability [% of the span]	< $\pm 0,15$; (with temperature fluctuations < 10 K)	
Characteristics deviation [% of the span]	< $\pm 2,5$; (incl. drift due to tightening torque, zero and span error)	
Linearity deviation [% of the span]	< $\pm 0,25$ (BFSL) / < $\pm 0,5$ (LS)	
Hysteresis deviation [% of the span]	< $\pm 0,25$	
Long-term stability [% of the span]	< $\pm 0,1$; (per 6 months)	
Temperature coefficient zero point [% of the span / 10 K]	< $\pm 0,15$; (-25...90 °C)	
Temperature coefficient span [% of the span / 10 K]	< $\pm 0,2$; (-25...90 °C)	
Reaction times		
Step response time analog output [ms]	3	
Operating conditions		
Ambient temperature [°C]	-25...90	
Storage temperature [°C]	-40...100	
Protection	IP 67; IP 69K	
Tests / approvals		
EMC	EN 61000-4-2 ESD	4 kV CD / 8 kV AD
	EN 61000-4-3 HF radiated	10 V/m
	EN 61000-4-4 Burst	4 kV coupling clamp
	EN 61000-4-5 Surge	1 kV signal for DC units
	EN 61000-4-6 HF conducted	10 V
	Shock resistance	DIN IEC 68-2-27
Vibration resistance	DIN IEC 68-2-6	20 g (10...2000 Hz)
Mechanical data		
Weight [g]	218	
Material	stainless steel (1.4404 / 316L); PA	
Materials (wetted parts)	stainless steel (1.4404 / 316L); sealing: FKM	
Min. pressure cycles	50 million	
Process connection	threaded connection G 1/4 external thread	
Remarks		
Remarks	BFSL = Best Fit Straight Line LS = limit value setting	

PC3553



Pressure transmitter

PT-016-SBG14-A-ZVG/US/ IW

Pack quantity

1 pcs.

Electrical connection

Connector: 1 x M12; coding: A



Connection

