

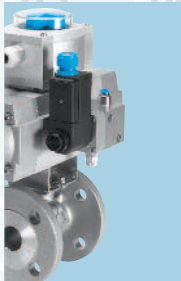
Automation technology – selected for value

P

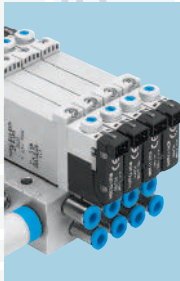
01



02



03



04

06



07

ADN
DSF

FRC
LFR

CRDSND

DFTB

DPAB

VR65

CPE

MS6

QSP

DNCB

DAPZ

SAMH

ESH

AHB

DSBF

SDE-3

ESS

KMEB

ADN, AEN

NVF3

NEBU

HA

VUVG



VSNB

VPPM

HB

VAVE

FEN

VAPB

VAME

HCL

VMPA

DGRF

Service and support

For information on the complete range of more than 30,000 products:

www.festo.com/gb/catalogue

Online support

The most comprehensive online support portal reducing time, cost and risk. Documentation, drawings, installation instructions, operating manuals, service information, firmware and download information.

Download area

For Technical file information:

- CAD downloads in 45 CAD formats for standard and configurable products
- 2D: DWF, DXF, IGES
- 3D: DWG, DXF, IGES, SAT, STEP
- EPLAN for valve terminals etc.
- GSD/EDS files for fieldbus configuration

www.festo.com/gb/download

Sizing and configuration tools

Comprehensive configuration tools for cylinders, valve terminals and air preparation sets. Software programs also available to reduce engineering time, reduce risk and optimise product selection:

- Air consumption calculator
- Cycle time, cylinder / valve sizing
- Electro-mechanical axis and drive selection
- Vacuum component selection
- Tubing: chemical and environment resistance
- Mass moment of inertia for rotary applications
- Shock absorber energy calculator
- Gripper sizing






























Compressed air costs! Are you leaking money?

Energy saving services from Festo can help:

- Reduce energy waste kWh and CO₂ emissions
- Delay or avoid new investments
- Extend machinery life and increase capacity
- Reduce noise levels



Contents

Solutions for the food and packaging industry		2
Cylinders		
Compact double acting - ADN		4
Standard double acting - DSNU		6
Stainless steel roundline - CRDSNU		8
Standard double acting - DNCB		10
Guided cylinders - DSBF		12
Guide units - FEN/G		14
Guided drives - DGRF		16
Guided cylinders - DFM		18
Mini slide - DGSL		20
Rodless cylinders - DGC		22
Rotary index table - DHTG		24
Cylinder accessories		
Piston rod attachments		26
Cylinder mounted switches - SME		27
Flow control valves - GRLA		28
Process automation		
NAMUR solenoid valve - VSNB		29
Quarter turn actuators - DFPB		30
Pressure sensors and proportional valves		
Red/green sensor - SPAB		32
High performance - SDE-3		34
Proportional pressure regulator - VPPM		36
Vacuum		
Vacuum generators - VN		38
Vacuum cups - ESS		39
Valves and valve terminals		
Solenoid valves - CPE		40
High performance - VUVG		44
Service units		
Boxed sets - D series		47
Polymer - D series		48
Metal - D series		50
Soft start and exhaust valve - MS6-SV		52
Tube and fittings		
Tubing - PEN/PUN-H		53
Push-in fittings - QSB		54
Threaded fittings - NPFB		57
Corrosion resistant fittings - NPQP		60
Push-in metal fittings - QS-F		62
Range overview		64

This catalogue contains only a small selection of the complete Festo range.

For more information on the entire Festo range of more than 30,000 products, CAD drawings, operating instructions, certificates (e.g. ATEX) go to: www.festo.com/gb

Solutions for the food and packaging industry

The ideal solution for every application and for every zone of the food and packaging industry.

Supplementary services, such as comprehensive further education, training courses and consulting services from Festo Didactic, add real value.

Energy-saving: compressed air quality and consumption analysis

Optimum compressed air preparation and compressed air supply as well as machine consumption levels are key criteria for reliable production processes, high system availability and energy and cost optimised operation.

Consistently reliable: Clean Design

Easy-to-clean, hygienic machine design to DIN EN 1672-2 is an important building block for your safety. It consists of resistant, food industry-compatible materials such as stainless steel, the prevention of dead spaces and maximum ease of cleaning.

Process automation



Linear valve actuator

DLP with standard valve VSNB: easy to assemble and service. VSNB standard valve, with NAMUR port pattern.



Quarter-turn actuator

DFPB: for process, chemical or food valves. Options include supply complete with sensor box and solenoid pilot valves.



Sensor boxes SRAP and SRBP

SRAP: Analogue position indicator for output signal from 4 to 20 mA.
SRBP: Electrical binary sensor box indicating open and closed output.



Control cabinet solutions

Reliability, hygiene and the highest level of performance. The CPX/MPA valve terminal optimised for process control cabinets, with optional hot swap and integrated non-return valves.

Food zone

Stainless-steel cylinder CRDSNU

Exceptionally clean thanks to extremely smooth surface. Only from Festo: self-adjusting end-position cushioning PPS and modular wiper system including longer life, dry running option.



Tubing/fitting combination PFAN/CRQS

Resistant to virtually all cleaning and disinfection agents even with harsh acids and alkalis. Tubing PFAN is FDA-approved for use in the food industry.



Service units

Provides the cleanest compressed air in qualities (DIN ISO 8573-1) 1.4.1 and 1.2.1 for contact with dry and non-dry foods. Combinations are easy to configure in our electronic catalogue.



Valve terminals with covers for food zones

Exceptional cleanliness levels thanks to stainless steel cover. Excellent power density in very tight spaces. Direct integration of all current bus interfaces.



Splash zone



Clean Design compact cylinders CDC

Standard dimensions to ISO 21287 with higher performance; without corners or edges for easier washdown and higher corrosion resistance.



Guided cylinder DGRF

Increased reliability with handling tasks in a splash zone. Easy to clean, with long service life thanks to optional dry running seal. FDA-approved lubrication and seals.



Standard Clean Design cylinder DSBF

Corrosion resistance, dimensions to ISO 15552. FDA approval for lubrication and seal, dry-running seal and unique self-adjusting cushioning PPS.



Tubing/fitting combination PLN/NPQP

Resistant to cleaning agents and with a high level of corrosion protection. PLN according to European Directive 1935/2004.



Proximity switch SMT-C1

For use in the food industry, resistant to cleaning agents, heat and moisture. Suitable for all Festo clean design drives with mounting rail.

This catalogue contains only a selection of products for food and washdown environments. For additional information on the full range and other industry sectors and application specific products, please visit "Industries" at: www.festo.com/gb

Non-food zone



Soft-start/quick exhaust valve

MS6-SV: With the highest level of safety for people and machines with quick exhaust in the event of emergency stops. Also ensures maximum machine availability, soft start and monitored control and diagnostic functions.



Fast-switching valve

MH: High speed at the extreme. Shorter cycles, highly repeatable switching times and a long service life – whether for precise dosing, gluing or sorting and eject applications.



Vacuum generator

OVEM: Vacuum functions plus condition monitoring of the set evacuation and rejection time: they increase process reliability and minimise downtime.



Tripod

High speed in 3D. Perfect for rigorous demands on precision and dynamic response. A complete package of application engineering, commissioning and training.



Intelligent compact camera systems

SBOx: supports diagnostics and commissioning and monitors fast motion sequences, while SBOx-Q is for precise positioning of axes, type identification, position detection and 2D quality inspection now with text recognition (OCR) and 1D/2D code.

Cylinders... compact cylinders ADN, to ISO 21287



- Compact cylinder with ISO standard dimensions
- Stroke lengths from 1 to 500mm
- Diameters: 12 to 125mm
- Innovative cushioning for higher inertias
- Longer service life
- Highest range of options

Order code explanation

Type		ADN
ADN	Double-acting cylinder	
Piston Ø (mm)		12, 16, 20, 25, 32, 40, 50, 63, 80, 100, 125
Stroke (mm)		1...500
Piston rod thread		
A	Male thread	
I	Female thread	
Cushioning		P
P	Elastic cushioning at both ends	
Position sensing		A
A	Via proximity sensor	

Additional variants available

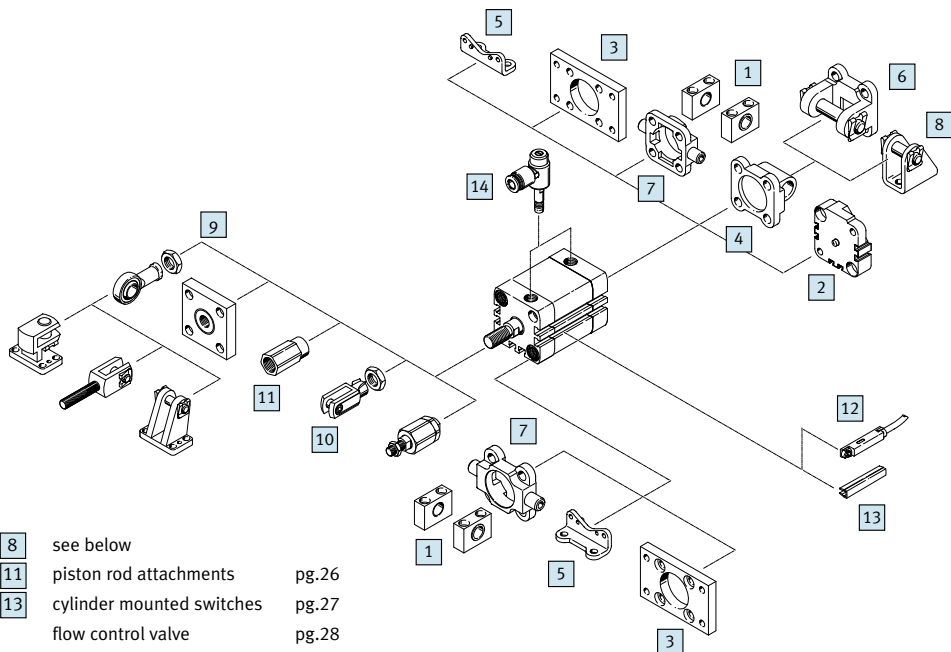
K2	Extended male piston rod thread	S2	Through piston rod
K5	Special piston rod thread	S6	Heat resistant seals up to 120°C
K8	Extended piston rod	S10	Slow speed, constant motion
K10	Smooth anodised piston rod	S11	Low friction
R8	Dust protection	S20	Through, hollow piston rod
Q	Square piston rod	TL	Captive rating plate (laser etched)
R3	High corrosion protection	TT	Low temperature
S1	Reinforced piston rod		

Additional types available

ADNE	Electric cylinder	AEN	Single acting (sprung in, or out (Z))
ADNH	High force – multi stack cylinder	EL	Endlock for either or both ends
ADNM	Multi position cylinder	KP	Clamping unit for piston rod

Order example: ADN-40-50-I-PA

ADN										
Standard	Cyl dia Ø mm									
stroke mm	12 mm	16 mm	20 mm	25 mm	32 mm	40 mm	50 mm	63 mm	80 mm	100 mm
5	536211	536226	536242	536259	536278	536299	536320			
10	536212	536227	536243	536260	536279	536300	536321	536342	536363	536384
15	536213	536228	536244	536261	536280	536301	536322	536343	536364	536385
20	536214	536229	536245	536262	536281	536302	536323	536344	536365	536386
25	536215	536230	536246	536263	536282	536303	536324	536345	536366	536387
30	536216	536231	536247	536264	536283	536304	536325	536346	536367	536388
40	536217	536232	536248	536265	536284	536305	536326	536347	536368	536389
50		536341	536249	536266	536285	536306	536327	536348	536369	536390
60			536362	536383	536286	536307	536328	536349	536370	536391
80					536287	536308	536329	536350	536371	536392



- 1 – 8 see below
- 9 – 11 piston rod attachments pg.26
- 12 – 13 cylinder mounted switches pg.27
- 14 flow control valve pg.28

For the complete range of accessories: Festo catalogue online

1 Trunnion support LN		
Dia	Type	Part No.
12	-	-
16	-	-
20	-	-
25	-	-
32	LNZG-32	32959
40	LNZG-40	32960
50	LNZG-50	32960

4 Swivel flange SNCL		
Type		Part No.
SNCL-12		537790
SNCL-16		537791
SNCL-20		537792
SNCL-25		537793
SNCL-32		174404
SNCL-40		174405
SNCL-50		174406

7 Trunnion flange ZNCF		
Type		Part No.
-		-
-		-
ZNCF-32		174411
ZNCF-40		174412
ZNCF-50		174413

2 Multi position kit DPNA		
Dia	Type	Part No.
12	DPNA-12	537263
16	DPNA-16	537264
20	DPNA-20	537265
25	DPNA-25	537266
32	DPNA-32	537267
40	DPNA-40	537268
50	DPNA-50	537269

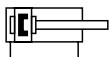
5 Foot mounting HNA		
Type		Part No.
HNA-12		537237
HNA-16		537238
HNA-20		537239
HNA-25		537240
HNA-32		537241
HNA-40		537242
HNA-50		537243

8 Clevis foot LBN		
Type		Part No.
LBN-12/16		6058
LBN-20/25		6059

3 Flange mounting FNC		
Dia	Type	Part No.
12	FNC-12	537245
16	FNC-16	537246
20	FNC-20	537247
25	FNC-25	537248
32	FNC-32	174376
40	FNC-40	174377
50	FNC-50	174378

6 Swivel flange SNCB		
Type		Part No.
-		-
-		-
SNCB-32		174390
SNCB-40		174391
SNCB-50		174392

Cylinders... standard cylinders DSNU, to ISO 6432



- Excellent running characteristics, service life & load carrying ability
- Many variants and options
- Wide range of accessories
- Emergency cylinder assembly service available

Order code explanation

Type		DSNU
DSNU	Double acting standard cylinder	
Piston Ø (mm)		
Stroke (mm)		
8, 10	10, 25, 40, 50, 80, 100	1 ... 100
12, 16	10, 25, 40, 50, 80, 100, 125, 160, 200	1 ... 200
20	10, 25, 40, 50, 80, 100, 125, 160, 200, 250, 300, 320	1 ... 320
25	10, 25, 40, 50, 80, 100, 125, 160, 200, 250, 300, 320, 400, 500	1 ... 500
Cushioning		
P	Elastomer cushioning rings at both ends	
PPV	Pneumatic cushioning adjustable at both ends ⁽¹⁾	
PPS	Pneumatic cushioning, self adjusting at both ends	
Position sensing		A
A	Via proximity sensor (SMX-8M pg.27 ⁽²⁾)	

Order example: DSNU-25-40-PPSA

- (1) Not with piston Ø 8, 10
- (2) Minimum stroke: 10 mm
- (3) Not with piston rod type S2
- (4) Not with DSNU-12...PPS/V



Festo's unique self-adjusting cushioning (PPS) reduces set-up times and ensures moving loads are brought to a smooth gentle stop without reducing cycle times.

Additional variants available

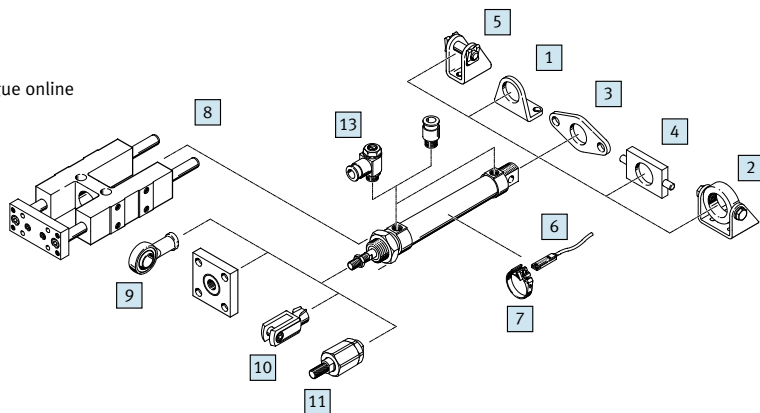
A	Position sensing	MQ	Plain end cap, lateral connection ⁽³⁾
K2	Extended male piston rod thread	Q	With protection against rotation
K5	Special piston rod thread	R3	High corrosion protection
K3	Female piston rod thread	S2	Through piston rod
K6	Shortened male piston rod thread	S6	Heat-resistant seals up to max. 120°C
K8	Extended piston rod	S10	Slow speed (constant motion)
KP	With clamping unit	S11	Low friction

DSNU-PA / DSNU-PPSA		dia Ø mm					
		8	10	12	16	20	25
Standard stroke mm	Cushioning	Elastomer ring			Self-adjusting		
		P-A	P-A	P-A	PPS	PPS	PPS
10		19177	19183	19189			
25		19178	19184	19190	559263	559271	559282
40		19179	19185	19191	559264	559272	559283
50		19180	19186	19192	559265	559273	559284
80		19181	19187	19193	559266	559274	559285
100		19182	19188	19194	559267	559275	559286
125				19195	559268	559276	559287
160				19196	559269	559277	559288
200				19197	559270	559278	559289
250						559279	559290
300						559280	559291
320						559281	559292
400							559293
500							559294

Peripherals overview – DSNU

- 1-5 see below
- 6-7 cylinder mounted switches pg.27
- 8 cylinder guides pg.14
- 9-11 piston rod attachments pg.26

For the complete range of accessories: Festo catalogue online



1 Foot mounting HBN		
Dia	Type	Part No.
8,10	HBN-8-10x1	5123
	HBN-8-10x2	5124
12,16	HBN-12-16X1	5125
	HBN-12-16X2	5126
20, 25	HBN-20-25X1	5127
	HBN-20-25X2	5128

2 Swivel mounting SBN		
Dia	Type	Part No.
20, 25	SBN-20-25	539927

3 Flange mounting FBN		
Dia	Type	Part No.
8,10	FBN-8-10	5129
12,16	FBN-12-16	5130
20,25	FBN-20-25	5131

4 Swivel mounting WBN		
Type	Part No.	
WBN-8-10	8608	
WBN-12-16	8609	
WBN-20-25	8610	

5 Clevis Foot LBN		
Type	Part No.	
LBN-8-10	6057	
LBN-12-16	6058	
LBN-20-25	6059	

Cylinders stainless steel... CRDSNU to ISO 6432 (and larger)



- Smooth surfaces for ease of cleaning
- Corrosion resistant in harsh environments
- FDA-compliant materials: 1.4301 & 1.4401
- Dry running option for longer life
- Patented self adjusting cushioning option
- Replaceable nose seal and scraper - options
- Stroke lengths from 1 to 500 mm
- Diameters: 12 to 63 mm

Order code explanation

Type		CRDSNU
CRDSNU	Stainless steel roundline cylinder	
Piston Ø (mm)	12, 16, 20, 25, 32,* 40,* 50,* 63*	
Stroke (mm)	1...500	
Cushioning		
P	Elastomer cushioning at both ends	
PPV	Pneumatic cushioning, adjustable at both ends	
PPS	Pneumatic cushioning, self adjusting at both ends	
Position sensing		A
A	Via proximity sensor	

*ISO 6432 standard only defines diameters up to 25 mm

Additional variants available

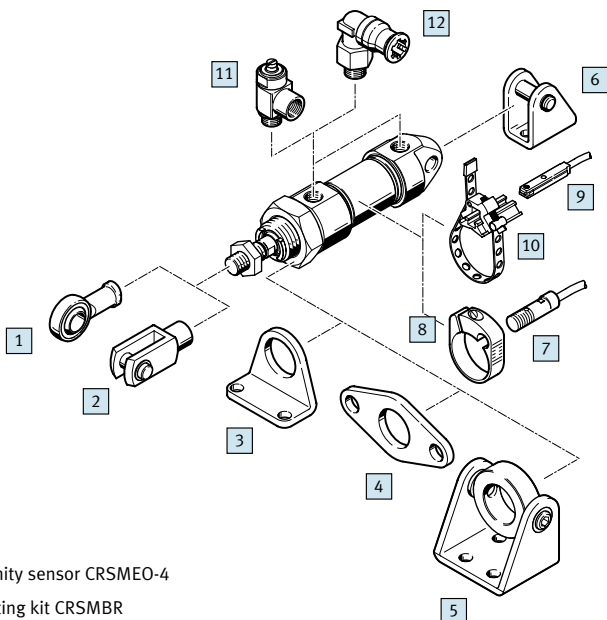
A1	Wiper seal: heat and acid resistant	K8	Extended piston rod at the front
A2	Wiper seal: hard	MG	Bearing cap w/o mounting thread
A3	Wiper seal for dry running	MQ	Shortened end cap w/o swivel mount
K2	Extended male piston rod thread	S2	Through piston rod
K3	Female piston rod thread	S6	Heat resistant up to 120°C
K5	Special piston rod thread	TT	Low temperature -40°C...+80°C



Festo's unique self-adjusting cushioning (PPS) reduces set-up times and ensures moving loads are brought to a smooth gentle stop without reducing cycle times.

Configurable part number

Type	Part No.
CRDSNU-12	552787
CRDSNU-16	552788
CRDSNU-20	552789
CRDSNU-25	552790
CRDSNU-32	552791
CRDSNU-40	552792
CRDSNU-50	552793
CRDSNU-63	552794



- | | | | |
|----------|-------------------------|-----------|---------------------------|
| 1 | Rod eye CRSGS | 7 | Proximity sensor CRSMEO-4 |
| 2 | Rod clevis CRSG | 8 | Mounting kit CRSMBR |
| 3 | Foot mounting CRHBN | 9 | Proximity sensor CRSMT-8 |
| 4 | Flange mounting CRFBN | 10 | Mounting kit SMBR |
| 5 | Swivel mounting CRSBN/S | 11 | Flow control CRGLA |
| 6 | Clevis foot CRLBN | 12 | Push in fittings CRQS |

1 Rod eye CRSGS		
Dia	Type	Part No.
12,16	CRSGS-M6	195580
20	CRSGS-M8	195581
25,32	CRSGS-M10x1.25	195582
40	CRSGS-M12x1.25	195583
50,63	CRSGS-M16x1.5	195584

2 Rod clevis CRSG		
Dia	Type	Part No.
12,16	CRSG-M6	13567
20	CRSG-M8	13568
25,32	CRSG-M10x1.25	13569
40	CRSG-M12x1.25	13570
50,63	CRSG-M16x1.5	13571

3 Foot mounting CRHBN		
Dia	Type	Part No.
12,16	CRHBN-12/16x1	161866
12,16	CRHBN-12/16x2	162999
20,25	CRHBN-20/25x1	161867
20,25	CRHBN-20/25x2	162998

3 Foot mounting CRH		
Dia	Type	Part No.
32	CRH-32	162951
40	CRH-40	162952
50	CRH-50	162953
63	CRH-63	162954

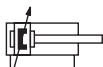
3 Foot mounting CRFV		
Dia	Type	Part No.
32	CRFV-32	161858
40	CRFV-40	161859
50	CRFV-50	161860
63	CRFV-63	161861

4 Flange mounting CRFBN		
Dia	Type	Part No.
12,16	CRFBN-12/16	161864
20,25	CRFBN-20/25	161865

5 Clevis foot CRSBN/CRSBS		
Dia	Type	Part No.
20,25	CRSBN-20/25	552904
32	CRSBS-32	162955
40	CRSBS-40	162956
50	CRSBS-50	162957
63	CRSBS-63	162958

6 Clevis foot CRLBN		
Dia	Type	Part No.
12,16	CRLBN-12/16	161862
20,25	CRLBN-20/25	161863
32	CRLBN-32	195866
40	CRLBN-40	195867
50,63	CRLBN-50/63	195868

Cylinders... standard cylinders, DNCB to ISO 15552



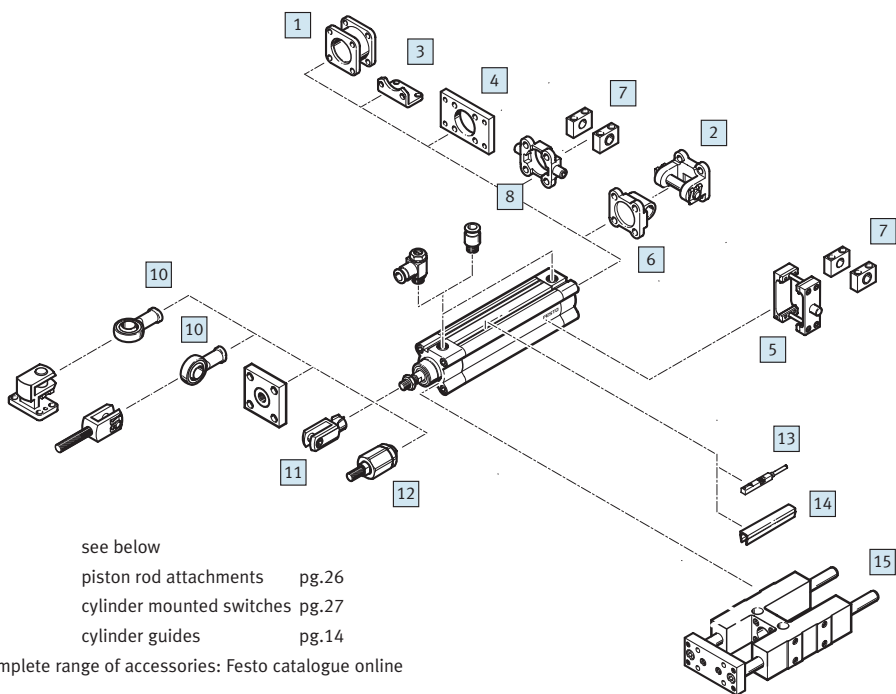
- Sturdy and economical for all standard tasks
- Superior operating characteristics & service life
- High performance piston system
- Air connections and profile slot for proximity sensors on one side
- Choice of mounting options
- Comprehensive range of accessories
- Emergency cylinder assembly service available

Order code explanation

Type		DNCB
DNCB	Double acting standard cylinder	
Piston Ø (mm)		
Stroke (mm)		
32, 40, 50	25, 40, 50, 80, 100, 125, 160, 200, 250, 320, 400, 500	2 ... 2000
63, 80, 100	25, 40, 50, 80, 100, 125, 160, 200, 250, 320, 400, 500	3 ... 2000
Cushioning		PPV
PPV	PPV Pneumatic cushioning adjustable at both ends	
Position sensing		A
A	Via proximity sensor (SMx-8M pg.27)	

DNCB

Standard stroke mm	Cyl dia Ø mm					
	32 mm	40 mm	50 mm	63 mm	80 mm	100 mm
25	532724	532737	532750	532763	532884	532897
40	532725	532738	532751	532764	532885	532898
50	532726	532739	532752	532765	532886	532899
80	532727	532740	532753	532766	532887	532900
100	532728	532741	532754	532767	532888	532901
125	532729	532742	532755	532768	532889	532902
160	532730	532743	532756	532769	532890	532903
200	532731	532744	532757	532770	532891	532904
250	532732	532745	532758	532771	532892	532905
320	532733	532746	532759	532772	532893	532906
400	532734	532747	532760	532773	532894	532907
500	532735	532748	532761	532774	532895	532908



- 1 9
- 10 12
- 13 14
- 15

see below
 piston rod attachments pg.26
 cylinder mounted switches pg.27
 cylinder guides pg.14

For the complete range of accessories: Festo catalogue online

1 Multi position kit DPNC		
Dia	Type	Part No.
32	DPNC-32	174418
40	DPNC-40	174419
50	DPNC-50	174420
63	DPNC-63	174421
80	DPNC-80	174422
100	DPNC-100	174423

4 Flange mounting FNC		
Dia	Type	Part No.
32	FNC-32	174376
40	FNC-40	174377
50	FNC-50	174378
63	FNC-63	174379
80	FNC-80	174380
100	FNC-100	174381

7 Trunnion mounting kit LNZG		
Dia	Type	Part No.
32	ZNCM-32	163525
40	ZNCM-40	163526
50	ZNCM-50	163527
63	ZNCM-63	163528
80	ZNCM-80	163529
100	ZNCM-100	163530

2 Swivel flange SNCB	
Type	Part No.
SNCB-32	174390
SNCB-40	174391
SNCB-50	174392
SNCB-63	174393
SNCB-80	174394
SNCB-100	174395

5 Swivel flange ZNCM	
Type	Part No.
SNCL-32	174404
SNCL-40	174405
SNCL-50	174406
SNCL-63	174407
SNCL-80	174408
SNCL-100	174409

8 Trunnion support ZNCF	
Type	Part No.
LNZG-32	32959
LNZG-40	32960
LNZG-50	32960
LNZG-63	32961
LNZG-80	32961
LNZG-100	32962

3 Foot mounting HNC	
Type	Part No.
HNC-32	174 369
HNC-40	174 370
HNC-50	174 371
HNC-63	174 372
HNC-80	174 373
HNC-100	174 374

6 Trunnion flange SNCL	
Type	Part No.
ZNCF-32	174411
ZNCF-40	174412
ZNCF-50	174413
ZNCF-63	174414
ZNCF-80	174415
ZNCF-100	174416

9 Right angle clevis foot LQG	
Type	Part No.
LQG-32	31768
LQG-40	31769
LQG-50	31770
LQG-63	31771
LQG-80	31772
LQG-100	31773

Cylinders... clean design standard cylinder, DSBF to ISO 15552



- Smooth surfaces for ease of cleaning in dry and splash zones in the food and beverage industry
- Corrosion resistant in harsh environments
- FDA-compliant materials
- Stroke lengths from 10 to 2000 mm
- Diameters: 32 to 100 mm

Order code explanation

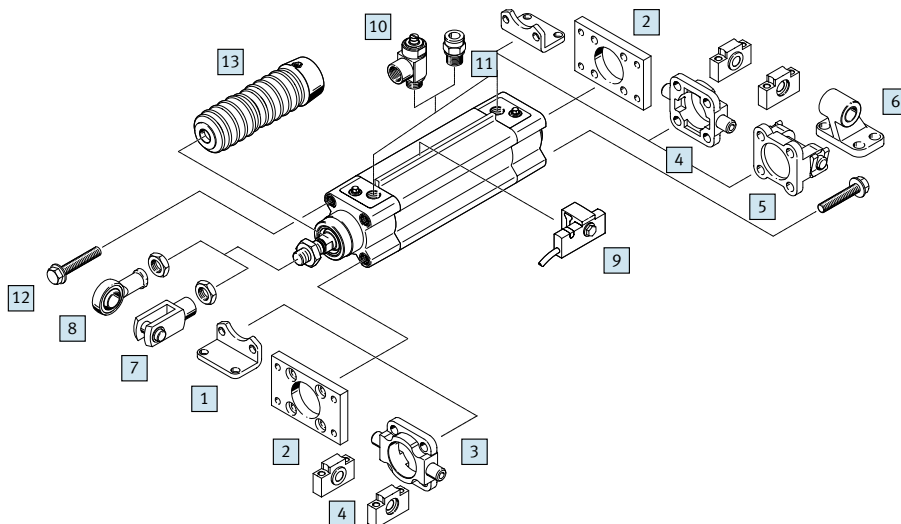
Type		DSBF
DSBF	Guided double acting cylinder	
C	Easy to clean design	
Piston Ø (mm)	32, 40, 50, 63, 80, 100	
Stroke (mm)	10...2000	
Piston rod		
-	At one end	
T	Through piston rod	
Cushioning		
PPV	Pneumatic cushioning, adjustable at both ends	
PPS	Pneumatic cushioning, self adjusting at both ends	
Position sensing		
A	Via proximity sensor	
Standard		
N3	Based on standard ISO 15552	

Additional variants available

A3	Suitable for unlubricated operation	R	Mounting rail for sensors
...E	Piston rod extension 1...500 mm	T1	Heat resistant up to 120°C
...L	Piston rod thread extension 1...70 mm	T3	Low temperature

Configurable part number

Type	Part No.
DSBF-32	570077
DSBF-40	570078
DSBF-50	570079
DSBF-63	570080
DSBF-80	570081
DSBF-100	570082



- 1 Foot mounting CRHNC for bearing caps
- 2 Flange mounting CRFNG (not with item 13)
- 3 Trunnion flange CRZNG (not with item 13)
- 4 Trunnion support CRLNZG (not with DADB)
- 5 Swivel flange SNCB...-R3
- 6 Clevis foot CRLNG
- 7 Rod clevis CRSG
- 8 Rod eye CRSGS
- 9 Proximity sensor SMT-C1 pg.27
- 10 Flow control CRGRLA pg.28
- 11 Push-in fitting QS-F / CRQS / NPQP pgs.60 & 62
- 12 Blanking screw DAMD
- 13 Bellows kit DADB (see online for options and configuration details)

1 Foot mounting CRHNC

Dia	Type	Part No.
32	CRHNC-32	176937
40	CRHNC-40	176938
50	CRHNC-50	176939
63	CRHNC-63	176940
80	CRHNC-80	176941
100	CRHNC-100	176942

2 Flange mounting CRFNG

Dia	Type	Part No.
32	CRFNG-32	161846
40	CRFNG-40	161847
50	CRFNG-50	161848
63	CRFNG-63	161849
80	CRFNG-80	161850
100	CRFNG-100	161851

3 Trunnion flange CRZNG

Dia	Type	Part No.
32	CRZNG-32	161852
40	CRZNG-40	161853
50	CRZNG-50	161854
63	CRZNG-63	161855
80	CRZNG-80	161856
100	CRZNG-100	161857

4 Trunnion supports CRLNZG

Dia	Type	Part No.
32	CRLNZG-32	161874
40,50	CRLNZG-40/50	161875
63,80	CRLNZG-63/80	161876
100	CRLNZG-100	161877

5 Swivel flange SNCB...-R3

Dia	Type	Part No.
32	SNCB-32-R3	176944
40	SNCB-40-R3	176945
50	SNCB-50-R3	176946
63	SNCB-63-R3	176947
80	SNCB-80-R3	176948
100	SNCB-100-R3	176949

6 Clevis foot CRLNG

Dia	Type	Part No.
32	CRLNG-32	161840
40	CRLNG-40	161841
50	CRLNG-50	161842
63	CRLNG-63	161843
80	CRLNG-80	161844
100	CRLNG-100	161845

7 CRSG

Dia	Type	Part No.
32	CRSG-M10x1.25	13569
40	CRSG-M12x1.25	13570
50,63	CRSG-M16x1.5	13571
80,100	CRSG-M20x1.5	13572

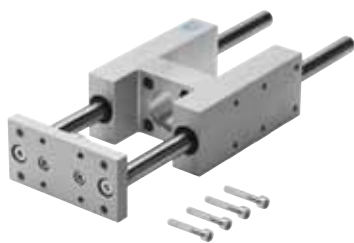
8 CRSGS

Dia	Type	Part No.
32	CRSGS-M10x1.25	195582
40	CRSGS-M12x1.25	195583
50,63	CRSGS-M16x1.5	195584
80,100	CRSGS-M20x1.5	195585

12 Corrosion resistant blanking screws

Dia	Type	Part No.
32,40	DAMD-PS-M6-12-R1	1355016
50,63	DAMD-PS-M8-16-R1	650121
80,100	DAMD-PS-M10-16-R2	1355026

Guide units... FEN/G for ISO cylinders



FENG guide fitted to a DNCB cylinder

- High precision guiding
- To protect cylinders against torsion at high torque loads
- Plain bearing or recirculating ball bearing guide

Order code explanation

Type	Guide unit	FEN
FEN	For variable strokes DSNU 8-25Ø	
FENG	For fixed & variable strokes DNCB 32-100Ø	

For cylinder piston Ø (mm)

	Fixed strokes (mm)	Variable strokes (mm)	
8, 10	-	1...100	
12,16	-	1...200	
20,25	-	2...250	
32, 40, 50, 63, 80, 100	50, 100,160, 200, 250, 320,400,500	10...500	

Guide

-	Plain-bearing guide	
KF	Recirculating ball bearing guide	

FENG...KF with recirculating ball bearing – for cylinder type DNCB, standard stroke lengths

FENG	50 (mm)	100 (mm)	160 (mm)	200 (mm)
DNCB Ø 32 (mm)	34493	34494	34495	34496
DNCB Ø 40 (mm)	34499	34500	34501	34502
DNCB Ø 50 (mm)	34506	34507	34508	34509
DNCB Ø 63 (mm)	34513	34514	34515	34516
DNCB Ø 80 (mm)	34521	34522	34523	34524
DNCB Ø 100 (mm)	34529	34530	34531	34532
	250 (mm)	320 (mm)	400 (mm)	500 (mm)
DNCB Ø 32 (mm)	150289	34497	150290	34498
DNCB Ø 40 (mm)	34503	34504	150291	34505
DNCB Ø 50 (mm)	34510	34511	150292	34512
DNCB Ø 63 (mm)	34517	34518	34519	34520
DNCB Ø 80 (mm)	34525	34526	34527	34528
DNCB Ø 100 (mm)	34533	34534	34535	34536

FEN for cylinder type DSNU – made to order / non-standard stroke lengths

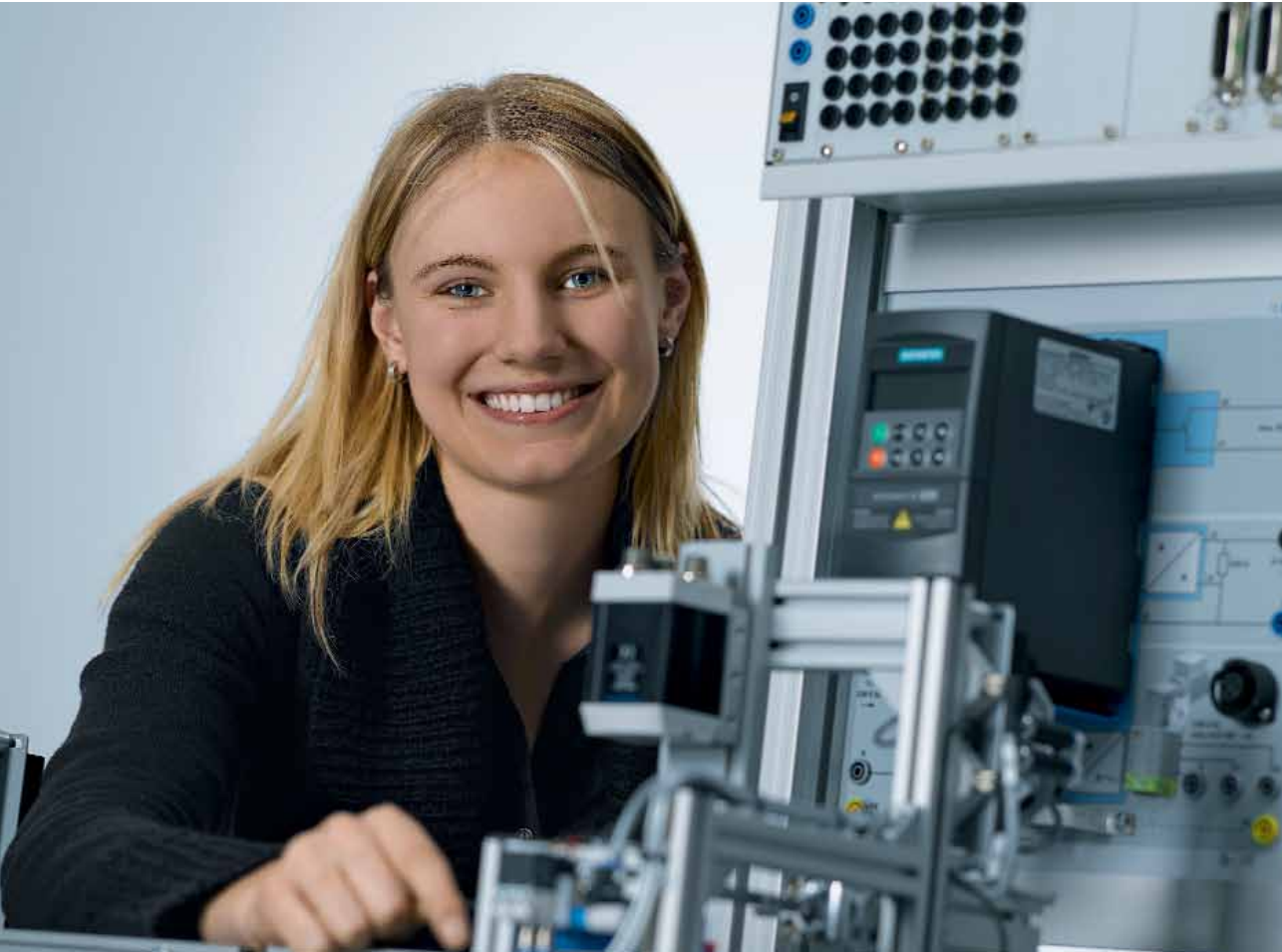
Type	Plain bearing	Recirculating ball bearing KF
DSNU 8,10 (mm)	35196	35197
DSNU 12,16 (mm)	19168	33481
DSNU 20 (mm)	19169	33482
DSNU 25 (mm)	19170	33483

FENG for cylinder type DNCB – made to order / non-standard stroke lengths

DNCB 32 (mm)	34481	34487
DNCB 40 (mm)	34482	34488
DNCB 50 (mm)	34483	34489
DNCB 63 (mm)	34484	34490
DNCB 80 (mm)	34485	34491
DNCB 100 (mm)	34486	34492

Does your business have the skills to succeed?

Training & Consulting



Development areas:

- Hydraulics
- Pneumatics
- PLCs
- Electricians
- Lean production
- Teamworking
- Coaching
- Sales skills
- Service skills
- Project Management
- Presentation skills
- Energy saving compressed air systems
- Logical approach fault finding

Services:

- Training needs analysis
- Post Course Clinics
- In-house and bespoke courses
- Outcome orientated programs and projects

Open course program:

- 2900 courses annually
- 39 languages
- 42,000 participants worldwide

For information on the complete range of Festo seminars or to request a copy of the latest seminar catalogue contact your local Premier Network stockist or – www.festo-didactic.co.uk

Guided drives... DGRF, clean design



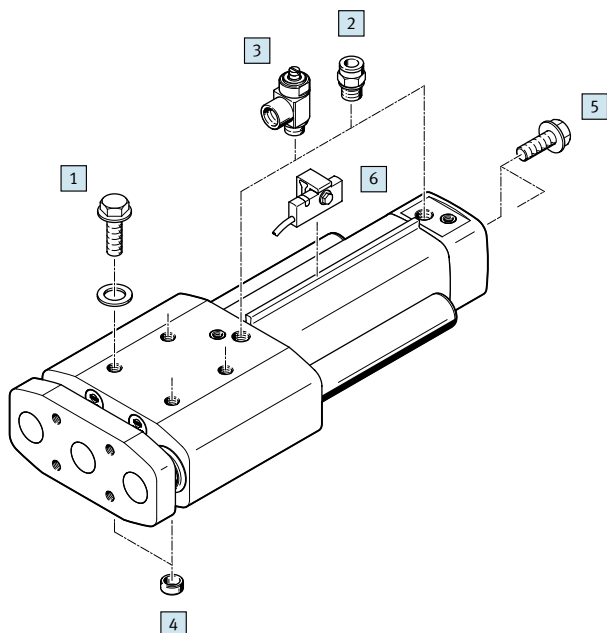
- Smooth surfaces for ease of cleaning in dry and splash zones in the food and beverage industry
- Corrosion resistant in harsh environments
- FDA-compliant materials
- Stroke lengths from 10 to 400 mm
- Diameters: 20 to 63 mm

Order code explanation

Type		DGRF
DGRF	Guided double acting cylinder	
C	Easy to clean design	
GF	Plain-bearing guide	
Piston Ø (mm)		
	20, 25, 32, 40, 50, 63	
Stroke (mm)		
	10...400	
Cushioning		
P	Elastic cushioning at both ends	
PPV	Pneumatic cushioning, adjustable at both ends	
Position sensing		A
A	Via proximity sensor	
Sensor mounting rail, external		
-	None	
R	Mounting rail for proximity sensor	
Wiper seal material		
-	Standard	
A3	Suitable for unlubricated operation	

Configurable part number

Type	Part No.
DGRF-20	562216
DGRF-25	562217
DGRF-32	563366
DGRF-40	562219
DGRF-50	562220
DGRF-63	562221



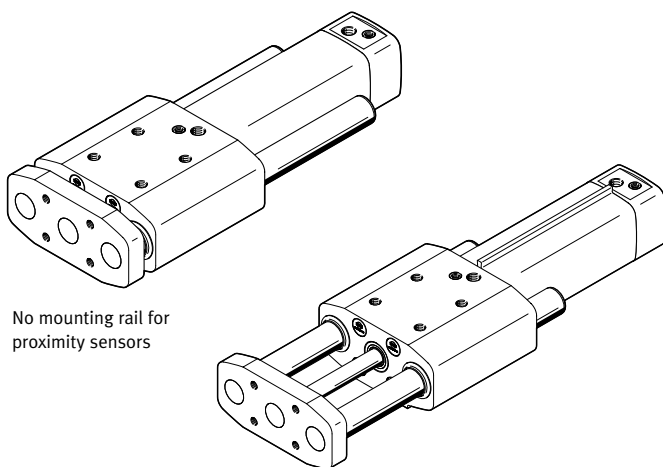
- 1 Blanking screw DAMD
- 2 Push-in fitting QS-F / NPQP
- 3 Flow control CRGLA / GRLA
- 4 Centring sleeve ZBH
- 5 Blanking screw CR
- 6 Proximity sensor SMT-C1 pg.27

DAMD blanking screws seal unused mounting threads.

Ordering example: DGRF-C-GF-32-200-PPVA

Corrosion resistant blanking screws		
For diameter	For guide body	Part No.
20,25	DAMD-P-M6-12-R1	543715
32,40,50	DAMD-P-M8-16-R1	543716
63	DAMD-P-M10-16-R1	543717
For diameter	For cylinder end cap	Part No.
20,25	DAMD-P-M5-10-R1	543714
32*	DAMD-P-M6-12-R1	543715
32,40	CR-M6x12-A2-70:6KT	650120
50,63	CR-M8x12-A2-70:6KT	650121

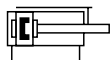
*For drive with P cushioning



No mounting rail for proximity sensors

Type R with mounting rail for proximity sensors

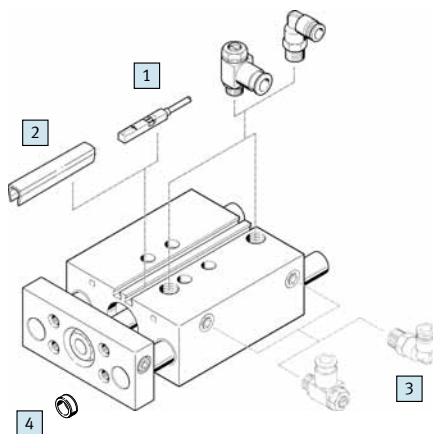
Guided cylinders... type DFM



- Drive & guide in a single housing
- Sturdy and accurate
- High resistance to torque and lateral forces
- Wide range of variants
- Good protection against torsion
- Plain bearing guide offers high rigidity due to large diameter guide rods and four plain bearing bushes
- Recirculating ball bearing guide provides smooth running and high speed guidance
- Emergency cylinder assembly service available

Order code explanation

Type		DFM
DFM	Guided cylinder	
Piston Ø (mm)		
12, 16, 20, 25, 32, 40, 50, 63, 80, 100		
Stroke (mm)		
10, 20, 25, 30, 40, 50, 80, 100, 125, 160, 200		
Cushioning		P
P	Elastomer cushioning rings at both ends	
Position sensing		A
A	Via proximity sensor pg.27	
Guide		
GF	Plain bearing guide	
KF	Recirculating ball bearing guide	



Accessories

		Brief Description
1	Proximity sensor SME-8M / SMT-8M	Can be integrated in the profile barrel
2	Slot cover ABP-5-S	To protect the sensor cable and keep dirt out of the sensor slots
3	One way flow control valve GRLA	To regulate speed
4	Centring sleeves ZBH	4 pieces included in scope of delivery

For information on the recirculating ball guided versions type DFM-KF and guide units with extended functionality e.g. shock absorber cushioning, adjustable end stops: www.festo.com/gb/onlinecatalogue

All guide units below are GF type with plain bearings

Type	Part No.
DFM-12-10-P-A-GF	170824
DFM-12-20-P-A-GF	170825
DFM-12-25-P-A-GF	170826
DFM-12-30-P-A-GF	170827
DFM-12-40-P-A-GF	170828
DFM-12-50-P-A-GF	170829
DFM-12-80-P-A-GF	170830
DFM-12-100-PA-GF	170831

Type	Part No.
DFM-16-10-P-A-GF	170832
DFM-16-20-P-A-GF	170833
DFM-16-25-P-A-GF	170834
DFM-16-30-P-A-GF	170835
DFM-16-40-P-A-GF	170836
DFM-16-50-P-A-GF	170837
DFM-16-80-P-A-GF	170838
DFM-16-100-PA-GF	170839

Type	Part No.
DFM-20-20-P-A-GF	170840
DFM-20-25-P-A-GF	170841
DFM-20-30-P-A-GF	170842
DFM-20-40-P-A-GF	170843
DFM-20-50-P-A-GF	170844
DFM-20-80-P-A-GF	170845
DFM-20-100-P-A-GF	170846

Type	Part No.
DFM-25-20-P-A-GF	170847
DFM-25-25-P-A-GF	170848
DFM-25-30-P-A-GF	170849
DFM-25-40-P-A-GF	170850
DFM-25-50-P-A-GF	170851
DFM-25-80-P-A-GF	170852
DFM-25-100-P-A-GF	170853

Type	Part No.
DFM-32-20-P-A-GF	170854
DFM-32-25-P-A-GF	170855
DFM-32-30-P-A-GF	170856
DFM-32-40-P-A-GF	170857
DFM-32-50-P-A-GF	170858
DFM-32-80-P-A-GF	170859
DFM-32-100-P-A-GF	170860
DFM-32-125-P-A-GF	170861
DFM-32-160-P-A-GF	170862
DFM-32-200-P-A-GF	170863

Type	Part No.
DFM-40-25-P-A-GF	170864
DFM-40-50-P-A-GF	170865
DFM-40-80-P-A-GF	170866
DFM-40-100-P-A-GF	170867
DFM-40-125-P-A-GF	170868
DFM-40-160-P-A-GF	170869
DFM-40-200-P-A-GF	170870

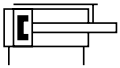
Type	Part No.
DFM-50-25-P-A-GF	170871
DFM-50-50-P-A-GF	170872
DFM-50-80-P-A-GF	170873
DFM-50-100-P-A-GF	170874
DFM-50-125-P-A-GF	170875
DFM-50-160-P-A-GF	170876
DFM-50-200-P-A-GF	170877

Type	Part No.
DFM-63-25-P-A-GF	170878
DFM-63-50-P-A-GF	170879
DFM-63-80-P-A-GF	170880
DFM-63-100-P-A-GF	170881
DFM-63-125-P-A-GF	170882
DFM-63-160-P-A-GF	170883
DFM-63-200-P-A-GF	170884

Type	Part No.
DFM-80-25-P-A-GF	170885
DFM-80-50-P-A-GF	170886
DFM-80-80-P-A-GF	170887
DFM-80-100-P-A-GF	170888
DFM-80-125-P-A-GF	170889
DFM-80-160-P-A-GF	170890
DFM-80-200-P-A-GF	170891

Type	Part No.
DFM-100-25-P-A-GF	170892
DFM-100-50-P-A-GF	170893
DFM-100-80-P-A-GF	170894
DFM-100-100-P-A-GF	170895
DFM-100-125-P-A-GF	170896
DFM-100-160-P-A-GF	170897
DFM-100-200-P-A-GF	170898

Guided cylinders... mini slide DGSL



- High load capacity and position accuracy
- High linear and parallel precision adjustment
- Simple coarse and fine end position
- Centring rings for mounting precision
- End lock or rod clamp options
- Can be combined with rodless cylinders, grippers or rotary actuators
- Simple X-Y and Y-Z combinations



XY Combination



Piggyback combination:
4 positions / high speed

Order code explanation

Type		DGSL
DGSL	Mini slide	
Size		
	Stroke (mm)	
4	10,20,30	
6	10,20,30,40,50	
8	10,20,30,40,50,80	
10	10,20,30,40,50,80,100	
12	10,20,30,40,50,80,100,150	
16	10,20,30,40,50,80,100,150	
20	10,20,30,40,50,80,100,150,200	
25	10,20,30,40,50,80,100,150,200	
Clamping unit		C or E3
C	Integrated	
End position lock		C or E3
E3*	With piston retracted	
Cushioning		
P	Elastic cushioning without metal end position, both ends	
P1	Elastic cushioning with metal end position, both ends	
Y3**	Progressive shock absorber, both ends	
E	Elastic cushioning without metal end position, both ends, short design	
Position sensing		A
A	via proximity sensor pg.27	

*not with end lock

**min. stroke 30mm

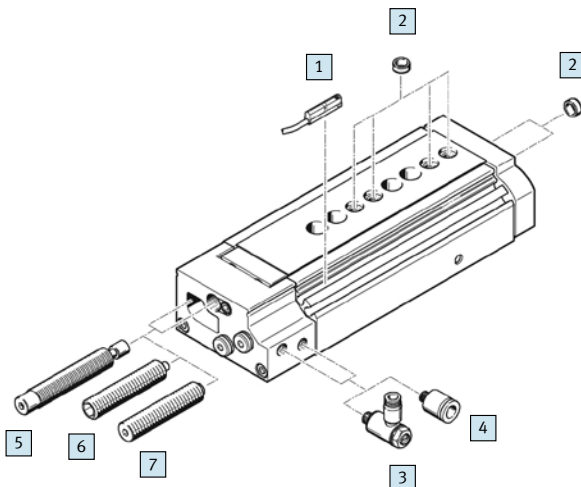
Order example: DGSL-12-100-C-Y3-A

DGSL	
Type	Part No.
DGSL-4-10-PA	543910
DGSL-4-20-PA	543911
DGSL-4-30-PA	543912
DGSL-6-10-PA	543916
DGSL-6-20-PA	543917
DGSL-6-30-PA	543918
DGSL-6-40-PA	543919
DGSL-6-50-PA	543920
DGSL-8-10-PA	543926
DGSL-8-20-PA	543927
DGSL-8-30-PA	543928
DGSL-8-40-PA	543929
DGSL-8-50-PA	543930
DGSL-8-80-PA	543931
DGSL-10-10-PA	543942
DGSL-10-20-PA	543943
DGSL-10-30-PA	543944
DGSL-10-40-PA	543945
DGSL-10-50-PA	543946
DGSL-10-80-PA	543947
DGSL-10-100-PA	543948
DGSL-12-10-PA	543961
DGSL-12-20-PA	543962
DGSL-12-30-PA	543963
DGSL-12-40-PA	543964
DGSL-12-50-PA	543965
DGSL-12-80-PA	543966
DGSL-12-100-PA	543967

DGSL Cont'd	
Type	Part No.
DGSL-16-10-PA	543983
DGSL-16-20-PA	543984
DGSL-16-30-PA	543985
DGSL-16-40-Y3A	544000
DGSL-16-50-Y3A	544001
DGSL-16-80-Y3A	544002
DGSL-16-100-Y3A	544003
DGSL-16-150-Y3A	544004
DGSL-20-10-PA	544014
DGSL-20-20-PA	544006
DGSL-20-30-PA	544007
DGSL-20-40-Y3A	544024
DGSL-20-50-Y3A	544025
DGSL-20-80-Y3A	544026
DGSL-20-100-Y3A	544027
DGSL-20-150-Y3A	544028
DGSL-25-10-PA	544030
DGSL-25-20-PA	544031
DGSL-25-30-PA	544032
DGSL-25-40-Y3A	544049
DGSL-25-50-Y3A	544050
DGSL-25-80-Y3A	544051
DGSL-25-100-Y3A	544052
DGSL-25-150-Y3A	544053
DGSL-25-150-Y3A	544054

Note: Larger sizes above have Y3A option - supplied complete with shock absorbers, for lower dynamic applications lower cost options are also available

Accessories overview			
	Description	Type	Part No.
1	Proximity switch	SME-/SMT-10	pg.27
2	Centring sleeve size 4, 6 (10 off)	ZBH-5	189652
	Centring sleeve size 8,10,12,16 (10 off)	ZBH-7	186717
	Centring sleeve size 20, 25 (10 off)	ZBH-9	150927
3	Flow control	GRLA...	pg.28
4	Fitting	QSB...	pg.54
5	Cushioning with shock absorber Y3		
6	Elastomer cushioning with metal stop P1		
7	Elastomer cushioning P		



Rodless cylinders... pneumatic linear drives, DGC



- Excellent running characteristics, service life and load capacity
- Choice of three types of guidance: basic, plain & precision recirculating ball bearings
- Precision mounting and interfaces
- Low air leakage
- Mid position stops available
- Additional sealing and lubrication units available for aggressive environments
- Emergency cylinder assembly service available

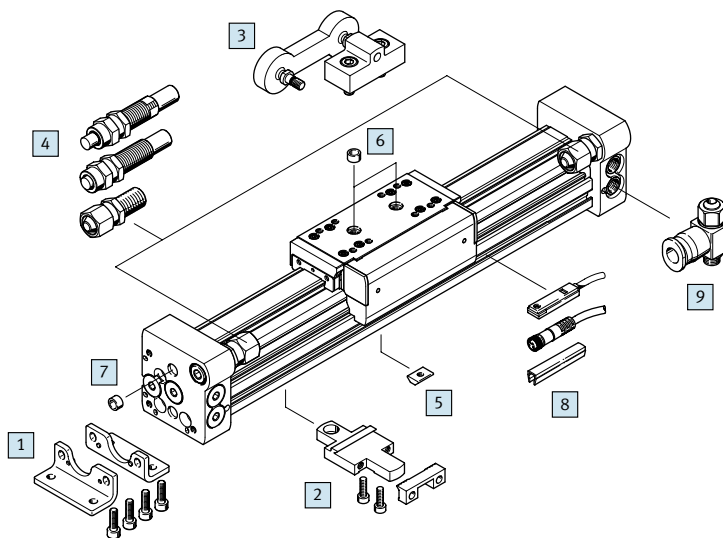
Order code explanation

Type		DGC	
DGC	Linear drive		
Piston Ø (mm)	Stroke (mm)		
	Bearing type		
	Basic	Plain	Recirculating
8	1 ... 1500	-	1 ... 1300
12	1 ... 2000	-	1 ... 1900
18	1 ... 3000	1 ... 3000	1 ... 3000
25, 32, 40, 50, 63	1 ... 5000	1 ... 5000	1 ... 5000
Guide – bearing type			
G	Basic design		
GF	Plain-bearing guide		
KF	Recirculating ball bearing guide		
Cushioning – position sensing			
P-A	Bore sizes 8-12, flexible cushioning rings at both ends, magnet for position sensing		
PPV-A	Bore sizes 18-63, pneumatic cushioning adjustable at both ends, magnet for position sensing		

For cylinder sensors SMx-8M see page 27

DGC type rodless cylinder are configurable and made to order

Cyl. dia. Ø mm	Part No.
8	530906
12	530907
18	532446
25	532447
32	532448
40	532449
50	532450


1 Foot mounting HPC

Dia	Type	Part No.
8	HPC-8	526385
12	HPC-12	526388
18	HPC-18	533667
25	HPC-25	533668
32	HPC-32	533669
40	HPC-40	533670
50	HPC-50	545236
63	HPC-63	545237

2 Profile mounting MUC

Type	Part No.
MUC-8	526384
MUC-12	526387
MUC-18	531752
MUC-25	531753
MUC-32	531754
MUC-40	531755
MUC-50	531756
MUC-63	531757

3 Moment compensator FK

Type	Part No.
FKC-8-12	529350
FKC-8-12	529350
FKC-18	538714
FKC-25	538715
FKC-32	538961
FKC-40	538962
FKC-50	545240
FKC-63	545240

4 Shock absorbers YSRW

Dia	Type (GF)	Part No.	Type (KF)	Part No.
8	YSRW-DGC-8	540344	YSRW-DGC-8	540344
12	YSRW-DGC-12	540345	YSRW-DGC-12	540345
18	YSRW-DGC-18-GF	540346	YSRW-DGC-18-KF	540347
25	YSRW-DGC-25-GF	540348	YSRW-DGC-25-KF	540349
32	YSRW-DGC-32-GF	540350	YSRW-DGC-32-KF	540351
40	YSRW-DGC-40-GF	540352	YSRW-DGC-40-KF-B	1232870
63	YSRW-DGC-63	543069	YSRW-DGC-63	543069

6 Centring pin (Ø8...18) and ring (Ø25...63) for slide ZBS

Dia	Type	Part No.
8	ZBS-5	150928
12	ZBS-5	150928
18	ZBS-5	150928
25	ZBH9	150927
32	ZBH9	150927
40	ZBH9	150927
50	ZBH9	150927
63	ZBH9	150927

7 Centring pin (Ø8...18) for end cap ZBS

Dia	Type	Part No.
8	ZBS-2	525273
12	ZBS-2	525273
18	ZBS-5	150928

5 Slot nut for slide HBMN

Dia	Type	Part No.
8	-	-
12	-	-
18	-	-
25	HBMN-5-1M5	547264
32	HBMN-5-1M5	547264
40	HBM-5-1M5	547264
50	HMBN-5-2M5	186566
63	HMBN-5-2M5	186566

8 Cylinder sensor SMx-8M pg.27

9 Flow controls pg.28

Rotary table... rotary index table DHTG



- Four diameters
- Clockwise / anticlockwise rotation
- Toggle motion for semi-automatic / manual applications
- Sturdy construction for reliability
- Stationary through-hole for cables and tubing

Order code explanation

Type		DHTG
DHTG	Double-acting standard cylinder	
Size		
	Indexing stations	
65,90	2,3,4,6,8,12,24	
140,220	3,4,6,8,12,24	
Position Sensing		A
A	Via proximity sensor	

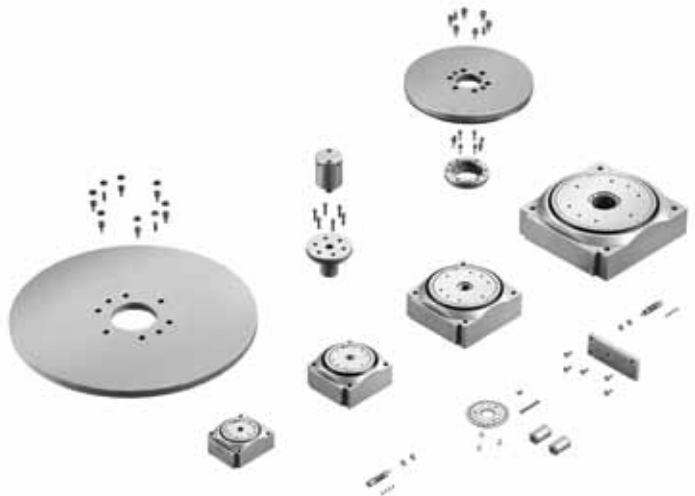
Order example: DHTG-90-8-A

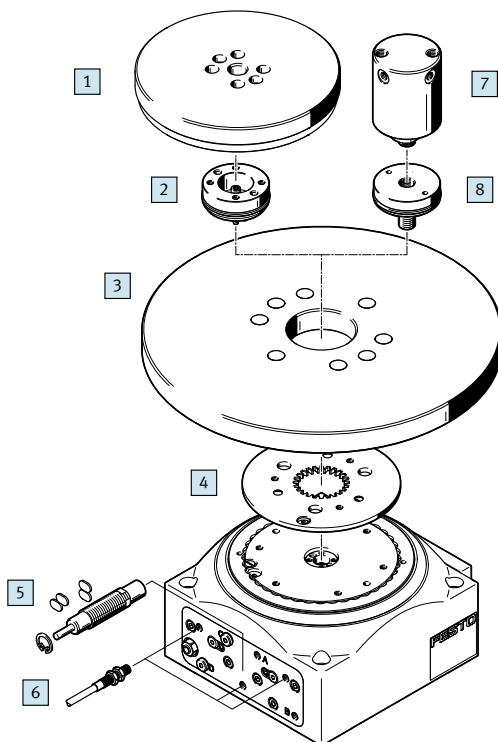
Rotary index table DHTG	
Description	Part No.
DHTG-65-2-A	548076
DHTG-65-3-A	555448
DHTG-65-4-A	548077
DHTG-65-6-A	548078
DHTG-65-8-A	548079
DHTG-65-12-A	548080
DHTG-65-24-A	548081
DHTG-90-2-A	548082
DHTG-90-3-A	555449
DHTG-90-4-A	548083
DHTG-90-6-A	548084
DHTG-90-8-A	548085
DHTG-90-12-A	548086
DHTG-90-24-A	548087

Rotary index table DHTG... continued	
Description	Part No.
DHTG-140-3-A	555450
DHTG-140-4-A	548088
DHTG-140-6-A	548089
DHTG-140-8-A	548090
DHTG-140-12-A	548091
DHTG-140-24-A	548092
DHTG-220-3-A	555451
DHTG-220-4-A	548093
DHTG-220-6-A	548094
DHTG-220-8-A	548095
DHTG-220-12-A	548096
DHTG-220-24-A	548097



Range overview





1 Unmachined plate, fixed	
Type	Part No.
DADG-UPF...	-

2 Adapter kit	
Type	Part No.
DADG-AK-65	555424
DADG-AK-90	555425
DADG-AK-140	555426
DADG-AK-220	555427

3 Unmachined plate, rotating	
Type	Part No.
DADG-UPT...	-

4 Indexing conversion kit	
Type	Part No.
DADM-CK...	-

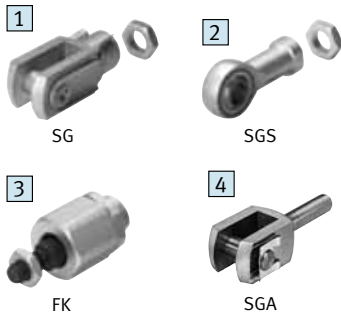
5 Toggle motion kit	
Type	Part No.
DADM-TK-65	548120
DADM-TK-90	548121
DADM-TK-140	563304
DADM-TK-220	563305

6 Proximity sensor	
Type	Part No.
SIEN	

7 Rotary distributor		
Description	Type	Part No.
Single 65,90	GF-1/8-M5	539290
Single 140	GF-1/4-1/8	539291
Single 220	GF-1/2-1/4	539292
Multiple 220	GF-1/8-2	539287

8 Adapter kit	
Type	Part No.
DADG-AK...	-

Piston rod attachments



Order code explanation

Rod attachments		
SG rod clevis	1	<input style="width: 100px; height: 100px; border: 1px solid black;" type="text"/>
SGS rod eye	2	
FK self aligning coupling	3	
SGA rod clevis (1)	4	

(1) For use with SGS rod eye

Rod thread	
M4, M6, M8, M10 x 1.25, M12 x 1.25, M16 x 1.5, M20 x 1.5	<input style="width: 100px; height: 100px; border: 1px solid black;" type="text"/>

- Specially matched to Festo cylinder range
- Versatile combinations
- Sturdy & functional



Cylinder	Rod Thread	Rod Clevis	Rod Eye	Self aligning coupling	Rod Clevis
		SG	SGS	FK	SGA
DSNU dia Ø 8 (mm)	M4	6532	9253	6528	
DSNU dia Ø 10 (mm)	M4	6532	9253	6528	
DSNU dia Ø 12 (mm)	M6	3110	9254	2061	
DSNU dia Ø 16 (mm)	M6	3110	9254	2061	
DSNU dia Ø 20 (mm)	M8	3111	3111	2062	
DSNU dia Ø 25 (mm)	M10 x 1.25	6144	9261	6140	32954
DNCB dia Ø 32 (mm)	M10 x 1.25	6144	9261	6140	32954
DNCB dia Ø 40 (mm)	M12 x 1.25	6145	9262	6141	10767
DNCB dia Ø 50 (mm)	M16 x 1.5	6146	9263	6142	10768
DNCB dia Ø 63 (mm)	M16 x 1.5	6146	9263	6142	10768
DNCB dia Ø 80 (mm)	M20 x 1.5	6147	9264	6143	10769
DNCB dia Ø 100 (mm)	M20 x 1.5	6147	9264	6143	10769

Cylinder mounted switches... reed SME, solid state SMT

Order code explanation

Type		SME
SME	reed switch	
SMT	solid state magneto resistive switch	
Design		
8M	For T slot insertable from above	
Switch output, switching function		
	SME	SMT 3-wire
ZS	N-O contact, 2-wire	
DS	N-O contact, 3-wire	
PS		PNP, N-O contact
PO		PNP, N-C contact
NS		NPN, N-O contact
Cable type		
K	Standard	
E	Suitable for chain link - robotic applications	
Cable length (m)		
0,3 2,5 5,0 7,5	Cable length	
Connection technology		
OE	Open end	
M5D	Cable with plug M5x0.5, knurled ring	
M8	Cable with plug M8x1, snap-on flange	
M8D	Cable with plug M8x1, knurled ring	
M12	Cable with plug M12x1, knurled ring	



- Simple, reliable mounting
- Robust, secure switch retention
- Well supported cable for increased operating life
- Switching point indicator for faster set-up
- Clear view LED indicator

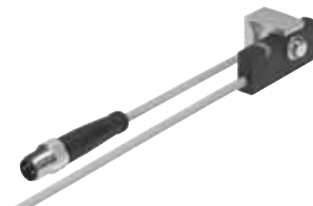
Note: Whilst other manufacturers' switches may have similar dimensions, Festo does not release data to these manufacturers and therefore their switching performance and mounting dimensions may not be compatible across the full range of Festo actuators.

Magnetic reed - N-O contact	
Type	Part No.
SME-8M-DS-24V-K-0,3-M5D	543864
SME-8M-DS-24V-K-0,3-M8D	543861
SME-8M-DS-24V-K-2,5-OE	543862
SME-8M-DS-24V-K-5,0-OE	543863
SME-8M-DS-24V-K-7,5-OE	543876
SME-8M-ZS-24V-K-2,5-OE	543872
SME-8M-DO-24V-K-7,5-OE	546799
Magneto-resistive - N-O contact	
SMT-8M-PS-24V-K-0,3-M5D	543865
SMT-8M-PS-24V-K-0,3-M8D	543866
SMT-8M-NS-24V-K-0,3-M8D	543871
SMT-8M-PS-24-V-K-0,3-M12	543869
SMT-8M-PS-24V-K-2,5-OE	543867
SMT-8M-NS-24V-K-2,5-OE	543870
SMT-8M-PS-24V-K-5,0-OE	543868
Magneto-resistive - N-C contact	
SMT-8M-PO-24V-K7,5-OE	543873

Mounting bracket for DSNU roundline cylinders		
Dia	Type	Part No.
8	SMBR-8-8	175091
10	SMBR-8-10	175092
12	SMBR-8-12	175093
16	SMBR-8-16	175094
20	SMBR-8-20	175095
25	SMBR-8-25	175096

Magneto-resistive - N-O contact for washdown and corrosive environments*	
Type	Part No.
SMT-C1-PS-24V-K-0,3-M8D	571342
SMT-C1-PS-24V-K-0,3-M12	571341
SMT-C1-PS-24V-K2,5-OE	540431
SMT-C1-PS-24V-K5,0-OE	571339

*See Online catalogue for applications and specification



One way flow control valves and flow control valves



1 2 GRLA-D standard one way flow control

- Robust metal design or polymer body with adjuster knob
- Push in tubing design for faster assembly
- Swivel function for convenient tube runs

3 Corrosion resistant one way flow control

- High alloy corrosion resistant steel for harsh environments
- Improved capability to withstand aggressive wash down chemicals

4 GRLSA one-way flow control with scale

- Traceable scale enables settings to be defined and documented
- Ideal for TPM
- Significantly reduces time required to install
- Ensures optimum flow rate setting is maintained

5 VFOC one way flow control for cylinders with integrated fittings

- Ideal for use with ADNP range
- Easy to install, no tools required
- QS secure fitting ensures leak free tubing connection
- Robust metal design

1 Exhaust air flow control via slotted head screw – GRLA-D

Type	Part No.
GRLA-M5-QS-3-D	193137
GRLA-M5-QS-4-D	193138
GRLA-M5-QS-6-D	193139
GRLA-1/8-QS-3-D	193142
GRLA-1/8-QS-4-D	193143
GRLA-1/8-QS-6-D	193144
GRLA-1/8-QS-8-D	193145
GRLA-1/4-QS-6-D	193146
GRLA-1/4-QS-8-D	193147
GRLA-1/4-QS-10-D	193148
GRLA-3/8-QS-6-D	193149
GRLA-3/8-QS-8-D	193150
GRLA-3/8-QS-10-D	193151
GRLA-1/2-QS-12-D	193152

3 Corrosion resistant – one way flow control valve – CRGRLA

Type	Part No.
CRGRLA-1/8-B	161404
CRGRLA-1/4-B	161405
CRGRLA-3/8-B	161406
CRGRLA-1/2-B	161407

2 Exhaust air flow control via knurled screw – GRLA-D-RS

Type	Part No.
GRLA-M5-QS-3-RS-D	197576
GRLA-M5-QS-4-RS-D	197577
GRLA-M5-QS-6-RS-D	197578
GRLA-1/8-QS-3-RS-D	197579
GRLA-1/8-QS-4-RS-D	197580
GRLA-1/8-QS-6-RS-D	197581
GRLA-1/8-QS-8-RS-D	534337
GRLA-1/4-QS-6-RS-D	534338
GRLA-1/4-QS-8-RS-D	534339
GRLA-1/4-QS-10-RS-D	534340
GRLA-3/8-QS-6-RS-D	534341
GRLA-3/8-QS-8-RS-D	534342
GRLA-3/8-QS-10-RS-D	534343
GRLA-1/2-QS-12-RS-D	534344

4 One way flow control valve with setting scale – GRLSA

Type	Part No.
GRLSA-1/8-QS-6	540661
GRLSA-1/4-QS-8	540662

5 One way flow control valve with stem – VFOC

Type	Part No.
VFOC-E-S4-Q4	540362

Basic valves without pilot valve - solenoid coil or pilot control plate must be ordered separately, 5/2-way valve

547017	VSNB-FC-M52-M-G14-P2	Single solenoid	Can be changed to 3/2-way valve
547021	VSNB-F-M52-M-G14-P2	Single solenoid	Cannot be changed to 3/2-way valve
547022	VSNB-F-B52-M-G14-P2	Double solenoid	Cannot be changed to 3/2-way valve

Solenoid valves with pilot valve, 5/2-way valve

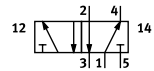
547026	VSNB-FC-M52-MH-G14-1A1	Single solenoid	Can be changed to 3/2-way valve
547028	VSNB-F-M52-MH-G14-1A1	Single solenoid	Cannot be changed to 3/2-way valve
547029	VSNB-F-B52-H-G14-1A1	Double solenoid	Cannot be changed to 3/2-way valve

Accessories

547025	VAOP-C2-P2	Control plate for pneumatic pilot signals
546019	MDH-3/2-24VDC-P1	Pilot valve with solenoid coil
546020	MDH-3/2-110VAC-P1	Pilot valve with solenoid coil
546021	MDH-3/2-230VAC-P1	Pilot valve with solenoid coil
34583	MSSD-C	Plug socket
30931	KMC-1-24DC-2,5-LED	Plug socket with cable
30933	KMC-1-24DC-5-LED	Plug socket with cable
193459	KMC-1-24DC-10-LED	Plug socket with cable
30932	KMC-1-230AC-2,5	Plug socket with cable
30934	KMC-1-230AC-5	Plug socket with cable



VSNB-F...H



- NAMUR 3/2, 5/2 single or double solenoid
- Single solenoid versions convertible 5/2 to 3/2 way
- Complies with VDI/VDE 3845
- CNOMO pilot valve interface
- ATEX approval



VSNB-FC...H



VSNB...M

Process automation... rotary actuators for quarter turn valves DFPB



- Anodised aluminium housing with epoxy coated end caps
- IP 67 and CRC3
- End-position adjustment
- Flange hole pattern to ISO-5211
- Interface on top and bottom for clockwise or anticlockwise operation
- Pressure relief slot
- NAMUR solenoid interface to VDI/VDE 3845

Order code explanation

Type		DFPB
DFPB	Quarter turn actuator	

Size (Nm)	Double acting	Single acting
7.5	Size 10	Size 20
19	Size 20	Size 30
31	Size 30	Size 40
41	Size 45	Size 60
57	Size 65	Size 80
76	Size 80	Size 110
114	Size 120	Size 150
165	Size 170	
225	Size 230	
289	Size 300	

Swivel angle [°]	
090	

Function	
-	Double acting quarter turn actuator
S	Single-acting quarter turn actuator

Spring index - single acting only	
3	2 bar
4	4 bar
5	5 bar
6	6 bar

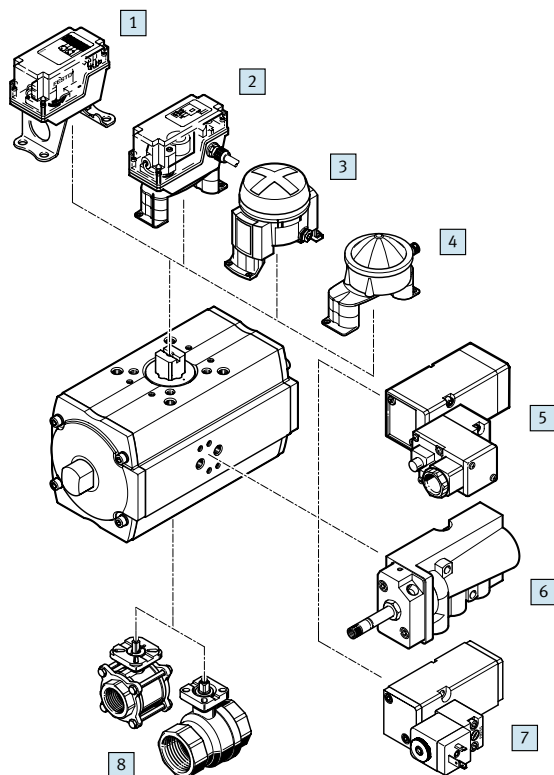
Flange pattern	
F03	Hole pattern F03 (double acting only)
F04	Hole pattern F04 (double acting only)
F05	Hole pattern F05
F0507	Hole pattern F05 and F07
F0710	Hole pattern F07 and F10

Order example: DFPB-60-090-S3-F0507

DFPB double acting	
Type	Part No.
DFPB-10-090-F03	557539
DFPB-20-090-F04	557540
DFPB-30-090-F04	557541
DFPB-45-090-F05	557542
DFPB-65-090-F05	557543
DFPB-80-090-F05	557544
DFPB-120-090-F0507	557545
DFPB-170-090-F0710	557546
DFPB-230-090-F0710	557547
DFPB-300-090-F0710	557548

DFPB single acting	
Type	Part No.
DFPB-20-090-S3-F05	557549
DFPB-20-090-S4-F05	557550
DFPB-20-090-S5-F05	557551
DFPB-20-090-S6-F05	557552
DFPB-30-090-S3-F05	557553
DFPB-30-090-S4-F05	557554
DFPB-30-090-S5-F05	557555
DFPB-30-090-S6-F05	557556
DFPB-40-090-S3-F05	557557
DFPB-40-090-S4-F05	557558
DFPB-40-090-S5-F05	557559
DFPB-40-090-S6-F05	557560
DFPB-60-090-S3-F0507	557561
DFPB-60-090-S4-F0507	557562

DFPB single acting cont'd	
Type	Part No.
DFPB-60-090-S5-F0507	557563
DFPB-60-090-S6-F0507	557564
DFPB-80-090-S3-F0710	557565
DFPB-80-090-S4-F0710	557566
DFPB-80-090-S5-F0710	557567
DFPB-80-090-S6-F0710	557568
DFPB-110-090-S3-F0710	557569
DFPB-110-090-S4-F0710	557570
DFPB-110-090-S5-F0710	557571
DFPB-110-090-S6-F0710	557572
DFPB-150-090-S3-F0710	557573
DFPB-150-090-S4-F0710	557574
DFPB-150-090-S5-F0710	557575
DFPB-150-090-S6-F0710	557576



DFPB actuator assembled with valve, solenoid and switch box

Mounting attachments and accessories

1 Limit switch attachment QH-DR-E

Brief description	Type
Square design, pneumatic, electrical or inductive sensing	QH-DR-E

2 Limit switch attachment DAPZ

Brief description	Type
Square design, electrical, electrically explosion-proof or inductive sensing	DAPZ

3 Limit switch attachment DAPZ

Brief description	Type
Round design, variant AR, electrical, inductive or inductively explosion-proof sensing	DAPZ

4 Limit switch attachment DAPZ

Brief description	Type
Round design, variant RO, electrical, inductive or inductive Namur sensing	DAPZ

5 Solenoid valve

Brief description	Type
Basic valve with pilot control valve for F solenoid coil, port pattern to Namur	MFH

Solenoid valve MN1H

Basic valve with pilot control valve for N1 solenoid coil, port pattern to Namur	MN1H
--	------

Solenoid valve MGTBH

Basic valve with pilot control valve, solenoid coil and socket, port pattern to Namur	MGTBH
---	-------

6 Solenoid valve NVF3

Brief description	Type
For F solenoid coil and explosion-proof F solenoid coil, port pattern to Namur	NVF3

7 Solenoid valve VSNB

Brief description	Type
Solenoid valve with solenoid coil, port pattern to Namur	VSNB pg.23

8 Ball valve VAPB

Brief description	Type
Brass or stainless steel, corrosion-resistant	VAPB

Festo sensor boxes for process valve actuator feedback

- SRBF: low cost
- SRBP/SRAP: high functionality options include analogue output



SRBP



SRBF

Pressure sensor... red / green SPAB



- Pressure and vacuum sensors
- Plug or cable options
- Compact design 30 x 30 mm
- Easy to set and read
- Illuminated two colour display
- Red / green easy read display
- Simple commissioning
- Superb value

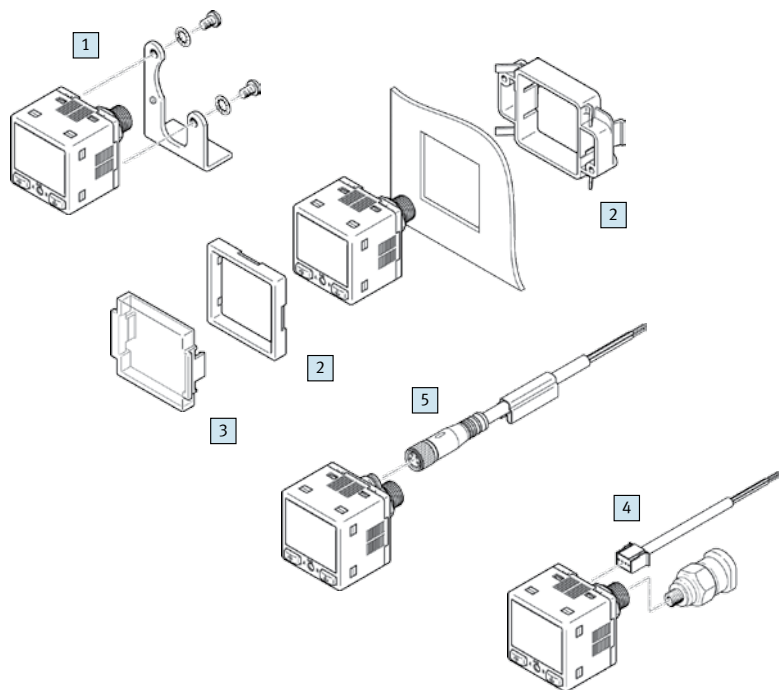
Order code explanation

Type		SPAB
SPAB	Piezoresistive pressure sensor	
Pressure measuring range		
B2	-1...+1 bar	
P10	0...10 bar	
Measured variable		R
R	Relative pressure	
Pneumatic connection		
G18	Male G1/8 & female M5 thread	
R18	Male R1/8 & female M5 thread	
N18	Male NPT1/8 & female M5 thread	
Electrical output		
2P	2 switching outputs PNP	
2N	2 switching outputs NPN	
PB	1 PNP output + 1...5V analogue	
NB	1 NPN output + 1...5V analogue	
Electrical output		
K1	Cable 2.5m long	
M8	Plug M8 x 1	

Order example: SPAB-P10RG18-PB-K1

Pressure sensor SPAB	
Type	Part No.
SPAB-P10R-G18-2P-M8	553158
SPAB-P10R-G18-2P-K1	552362
SPAB-P10R-G18-2N-M8	553161
SPAB-P10R-G18-2N-K1	552365
SPAB-B2R-G18-2P-M8	553146
SPAB-B2R-G18-2P-K1	552350
SPAB-B2R-G18-2N-M8	553149
SPAB-B2R-G18-2N-K1	552353

Other versions available on request



Accessories

Location on drawing	Description	Type	Part No.
1	Mounting bracket	SAMH-P4-A	552376
2	Front panel installation kit	SAMH-P4-F	552377
3	Protective cover	SACC-P4-G	552378
4	Cable square plug 2.5m	NEBU-L1G4-K-2.5-LE4*	552374
4	Cable square plug 5m	NEBU-L1G4-K-5-LE4*	552375
5	Cable M8x1 straight plug 2.5m	NEBU-M8G4-K-2.5-LE4	541342
5	Cable M8x1 straight plug 5m	NEBU-M8G4-K-5-LE4	541343
5	Cable M8x1 angle plug 2.5m	NEBU-M8W4-K-2.5-LE4	541344
5	Cable M8x1 angle plug 5m	NEBU-M8W4-K-5-LE4	541345

* included with SPAB...K1

Pressure sensor... high performance



- Five pressure ranges
- Plug or cable options
- Numerical and graphical display
- Easy to set and read
- Illuminated display
- Highest density for cabinets
- Two inputs option for relative, differential or 2 independent signals

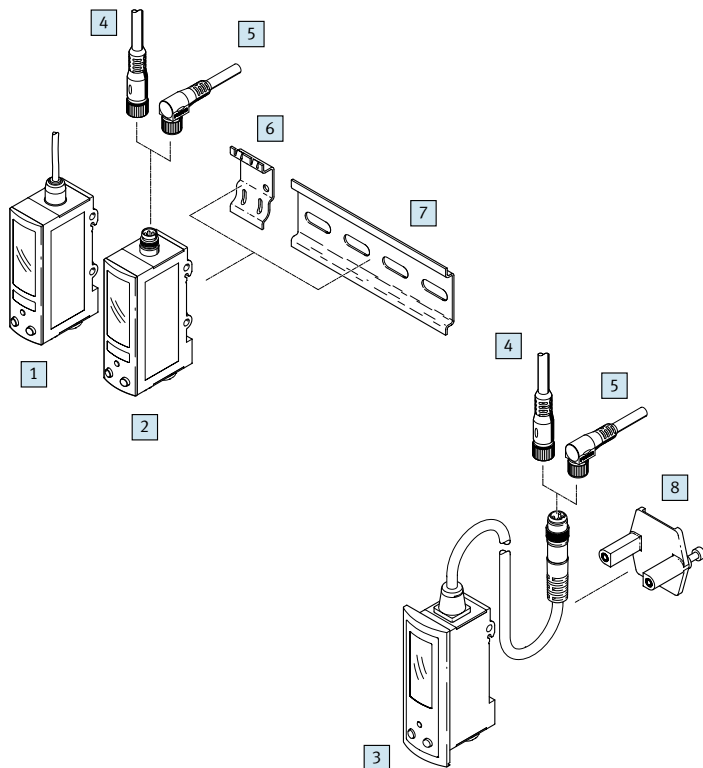
Order code explanation

Type		SDE-3
SDE-3	Pressure sensor	
Pressure measuring range		
V1	0...-1 bar	
D10	0...10 bar	
Measured variable		
S	1 x relative pressure	
D	2 x relative pressure	
Z	1 x differential pressure	
Display		B
B	Display in bar	
Pneumatic connection and assembly		
HQ4	QS-4 push-in fitting H rail mounting	
FQ4	QS-4 push-in fitting front panel mounting	
Electrical output		
2P	2 switching outputs PNP	
2N	2 switching outputs NPN	
Electrical output		
K1	Cable 2.5m long	
M8	Plug M8 x 1	

Order example: **SDE3-D10S-B-HQ4-2P-M8**

Pressure sensor SDE-3	
Description	Part No.
SDE3-V1Z-H-HQ4-2P-M8	540200
SDE3-V1Z-B-HQ4-2P-M8	540199
SDE3-V1Z-B-HQ4-2N-M8	540202
SDE3-V1Z-B-FQ4-2P-M8	540201
SDE3-V1S-H-HQ4-2P-M8	540194
SDE3-V1S-B-HQ4-2P-M8	540193
SDE3-V1S-B-FQ4-2P-M8	540195
SDE3-V1D-H-HQ4-2P-M8	540197
SDE3-V1D-B-HQ4-2P-M8	540196
SDE3-V1D-B-FQ4-2P-M8	540198

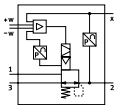
Other versions available on request



Accessories

Location on drawing	Description	Type	Part No.
1	Pressure sensor SDE3-...-K		552376
2	Pressure sensor SDE3-...-K		552377
3	Pressure sensor SDE3-...-K		552378
4	Cable	NEBU-M8G4-K-2.5-LE4	541342
4	Cable	NEBU-M8G4-K-5-LE4	541343
5	Cable	NEBU-M8W4-K-2.5-LE4	541344
5	Cable	NEBU-M8W4-K-5-LE4	541345
6	Adapter plate	SXE3-W	
7	DIN rail		
8	Clamping plate	incl. with SDE3...F.-M8	

Proportional pressure regulator... VPPM



- Flow rate: 380 ... 1,400 l/min
- Voltage: 21.6 ... 26.4 V DC
- Pressure regulation range: 0.02 ... 10 bar
- Multi-sensor cascade control
- Diagnostics
- Choice of regulation characteristics
- Temperature compensated
- High dynamic response
- High repetition accuracy
- LED indicators or LCD display
- Adjustment/selection buttons
- Choice of pressure ranges
- Pressure range can be adjusted
- Integrated pressure sensor with independent output

Order code explanation

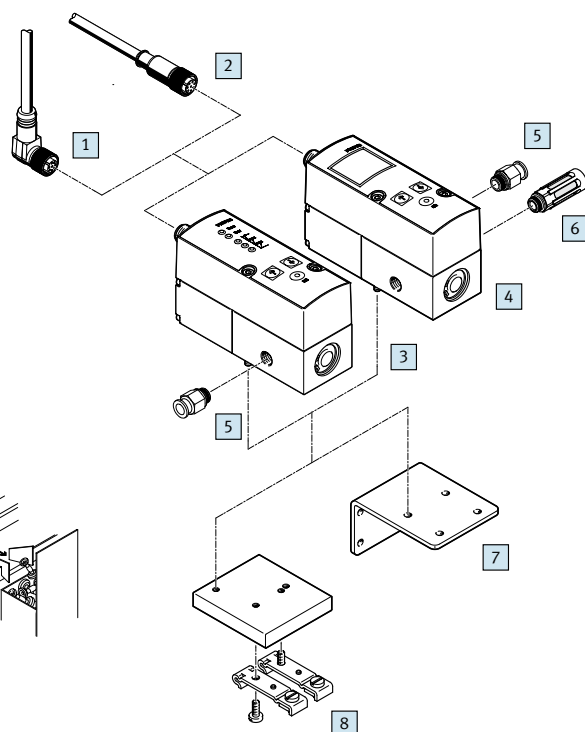
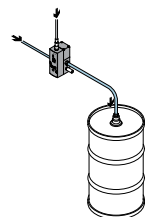
Type		VPPM
VPPM	Modular proportional pressure regulator	
Nominal diameter		6
6	6 mm	
Design		
L	In-line valve	
F	Flanged valve	
Dynamic response class		L
L	Low	
Valve function		1
1	3/2-way valve, normally closed	
Pneumatic connection		
G18	Thread G1/8"	
F	Flange/sub-base	
Lower pressure value of regulation range		OL
OL	0 bar	
Upper pressure value of regulation range		
2H	2 bar	
6H	6 bar	
10H	10 bar	
Setpoint specification for individual valve		
V1	0...10 V	
A4	4...20 mA	
Switching output		
N	Negative switching	
P	Positive switching	
Accuracy		
	2% (standard)	
S1	1%	
Operator unit		
	LED (standard)	
C1	With LCD, pressure units variable	

VPPM overall accuracy 2%

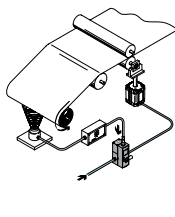
Pneumatic connection	Pressure regulation range (bar)	Voltage type 0... 10 V		Current type 4... 20 mA	
		Type	Part No.	Type	Part No.
G1/8	0.02...2	VPPM-6L-L-1-G18-0L2H-V1N	542233	VPPM-6L-L-1-G18-0L2H-A4N	542236
		VPPM-6L-L-1-G18-0L6H-V1N	542234	VPPM-6L-L-1-G18-0L6H-A4N	542237
	0.06...6	VPPM-6L-L-1-G18-0L6H-V1P	554043	VPPM-6L-L-1-G18-0L6H-A4P	554045
		VPPM-6L-L-1-G18-0L6H-V1P	554043	VPPM-6L-L-1-G18-0L6H-A4P	554045
		VPPM-6L-L-1-G18-0L6H-V1P-C1	558337	VPPM-6L-L-1-G18-0L6H-A4P-C1	558338
		VPPM-6L-L-1-G18-0L10H-V1N	542235	VPPM-6L-L-1-G18-0L10H-A4N	542238
0.01...10	VPPM-6L-L-1-G18-0L10H-V1P	554044	VPPM-6L-L-1-G18-0L10H-A4P	554046	
	VPPM-6L-L-1-G18-0L10H-V1N	542245	VPPM-6L-L-1-F-0L2H-A4N	542248	
Sub-base	0.02...2	VPPM-6F-L-1-F-0L2H-V1N	542246	VPPM-6F-L-1-F-0L2H-A4N	542249
		VPPM-6F-L-1-F-0L6H-V1P-C1	558339	VPPM-6F-L-1-F-0L6H-A4P-C1	558340
	0.06...6	VPPM-6F-L-1-F-0L6H-V1N	542246	VPPM-6F-L-1-F-0L6H-A4N	542249
		VPPM-6F-L-1-F-0L6H-V1N-C1	558347		
0.01...10	VPPM-6F-L-1-F-0L10H-V1N	542247	VPPM-6F-L-1-F-0L10H-A4N	542250	

Accessories

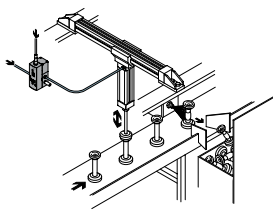
1	Plug socket with cable, angled NEBU-M12W8-...	NEBU-M12W8-...
2	Plug socket with cable, straight SIM-M12-8GD-...	SIM-M12-8GD-...
3	Proportional pressure regulator LED	VPPM
4	Proportional pressure regulator LED	VPPM
5	Push-in fitting	QS pg.54
6	Silencer For fitting on exhaust ports	U
7	Mounting bracket	VAME-P1-A
8	H-rail mounting	VAME-P1-T


Application examples


Leak detection

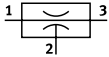


Web tension



Product testing

Vacuum products... vacuum generators VN



- Small and compact power for use exactly where they are most effective
- Fits into small spaces
- No wearing parts
- Extremely fast evacuation times
- Also available as in-line and high suction flow options



Order code explanation

Type		VN
VN	Vacuum generator	
Nominal laval nozzle size (mm)		
05	0.45	
07	0.7	
10	0.95	
14	1.4	
20	2.0	
30	3.0	
Ejector Characteristic		H
H	High vacuum/standard	
Housing type		
T2	T-type, grid dimensions 10 mm	
T3	T-type, grid dimensions 14 mm	
T4	T-type, grid dimensions 18 mm	
T6	T-type, grid dimensions 24 mm	
Supply Port (1)		
PQ1	Push-in connector QS4	
PQ2	Push-in connector QS6	
PQ4	Push-in connector QS10	
Vacuum connection (2)		
VQ1	Push-in connector QS4	
VQ2	Push-in connector QS6	
VQ3	Push-in connector QS10	
VQ5	Push-in connector QS12	
Exhaust port (3)		
RO1	Silencer U, minimum resistance	
RO2	Silencer UOM, minimum resistance	

Type	Part No.
VN-05-H-T2-PQ1-VQ1-RO1	526100
VN-07-H-T2-PQ1-VQ1-RO1	526101
VN-10-H-T3-PQ2-VQ2-RO1	193490
VN-14-H-T4-PQ2-VQ3-RO2	547707
VN-20-H-T6-PQ4-VQ5-RO2	193495
VN-30-H-T6-PQ4-VQ5-RO2	193497

This is just a small part of our range of vacuum generator products.

Vacuum products... vacuum cups ESS

Nitrile rubber suction cups, all free of copper, PTFE and silicon

Suction cup diameter in mm	Type	Part No.
2	ESS-2-SN	189264
4	ESS-4-SN	189269
6	ESS-6-SN	189274
8	ESS-8-SN	189279
10	ESS-10-SN	189284
15	ESS-15-SN	189289
20	ESS-20-SN	189294
30	ESS-30-SN	189299
40	ESS-40-SN	189304
50	ESS-50-SN	189309
60	ESS-60-SN	189314
80	ESS-80-SN	189318
100	ESS-100-SN	189322
150	ESS-150-SN	189326
200	ESS-200-SN	189330

Suction cup holders - without height compensation, male thread, 2 nuts, vacuum connection on top

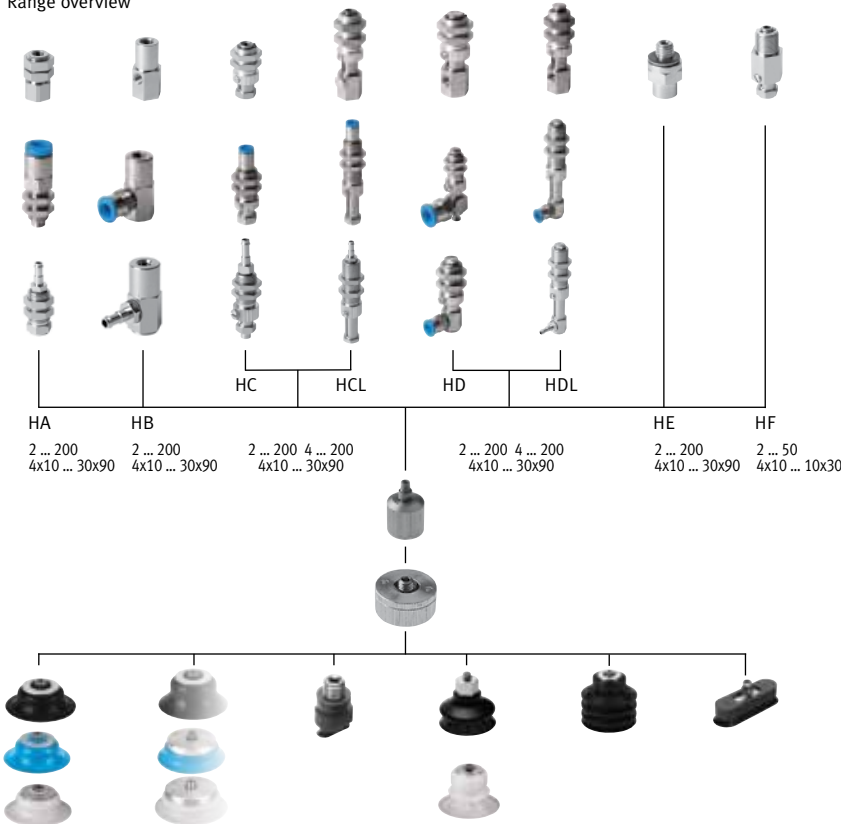
Suction cup	Vacuum	Type	Part No.
3 mm Ø	QS4	ESH-HA-1-QS	189193
4 mm Ø	QS4	ESH-HA-2-QS	189195
M4 x 0.7	QS6	ESH-HA-3-QS	189197
M6 x 1	QS6	ESH-HA-4-QS	189199



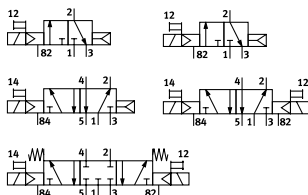
Suction cups and holders

- Full range of suction cups, holders and accessories
- Full range of materials and types of cup and holder available

Range overview



Solenoid valves... compact performance CPE



Valve types available:

- 3/2 way N/O
- 3/2 way N/C
- 5/2 way single solenoid
- 5/2 way double solenoid
- 5/3 way closed mid-position

- Width 10/14/18/24mm
- Internal or external pilot air (S type)
- Flow rate: 350, 800, 1500, 2900 l/min
- Individual or manifold mounting
- Suitable for vacuum
- Robust, reliable, cost effective
- Straightforward installation, fast valve replacement
- Individual electrical connection, choice of voltage on 18 & 24mm width valves
- Operating pressure 2.5 ...8 bar (internal supply pilot air)
- Operating pressure -0.95...10 bar (external supply pilot air)

Order code explanation

Type		CPE
CPE	Solenoid valve	

Width		
10	10mm	
14	14mm	
18	18mm	
24	24mm	

Operating voltage		
M1BH	24 V DC for size 10 & 14mm	
M1H	24 V DC for size 18 & 24mm	
M2H	110 V AC for size 18 & 24mm	
M3H	230 V AC for size 18 & 24mm	

Valve function		
3GL	3/2-way valve, normally closed	
3OL	3/2-way valve, normally open	
5L	5/2-way valve, single solenoid	
5J	5/2-way valve, double solenoid	
5/3G	5/3 -way valve, mid-position closed	

Pilot air supply		
-	Internal	
S	External	

Pneumatic connection		
M7	M7 for width 10mm	
1/8	G1/8" for width 14mm	
1/4	G1/4" for width 18mm	
3/8	G3/8" for width 24mm	

10mm CPE valves 24 V DC

Type	Part No.
CPE10-M1BH-3GL-M7	196915
CPE10-M1BH-3GLS-M7	196916
CPE10-M1BH-3OLS-M7	196918
CPE10-M1BH-5L-M7	196927
CPE10-M1BH-5LS-M7	196928
CPE10-M1BH-5J-M7	196925
CPE10-M1BH-5JS-M7	196926
CPE10-M1BH-5/3G-M7-B	533141
CPE10-M1BH-5/3GS-M7-B	533142

14mm CPE valves 24 V DC

Type	Part No.
CPE14-M1BH-3GL-1/8	196929
CPE14-M1BH-3GLS-1/8	196930
CPE14-M1BH-3OL-1/8	196931
CPE14-M1BH-5L-1/8	196941
CPE14-M1BH-5LS-1/8	196942
CPE14-M1BH-5J-1/8	196939
CPE14-M1BH-5JS-1/8	196940
CPE14-M1BH-5/3G-1/8	196937
CPE14-M1BH-5/3GS-1/8	196938

18mm CPE valves 24 V DC	
Type	Part No.
CPE18-M1H-3GL-1/4	163141
CPE18-M1H-3GLS-1/4	163145
CPE18-M1H-3OL-1/4	163140
CPE18-M1H-3OLS-1/4	163144
CPE18-M1H-5L-1/4	163142
CPE18-M1H-5LS-1/4	163146
CPE18-M1H-5J-1/4	163143
CPE18-M1H-5JS-1/4	163147
CPE18-M1H-5/3G-1/4	170247
CPE18-M1H-5/3GS-1/4	170248

18mm CPE valves 110 V AC	
Type	Part No.
CPE18-M2H-3GL-1/4	163761
CPE18-M2H-3GLS-1/4	163765
CPE18-M2H-3OL-1/4	163760
CPE18-M2H-3OLS-1/4	163764
CPE18-M2H-5L-1/4	163762
CPE18-M2H-5LS-1/4	163766
CPE18-M2H-5J-1/4	163763
CPE18-M2H-5JS-1/4	163767
CPE18-M2H-5/3G-1/4	170283
CPE18-M2H-5/3GS-1/4	170284

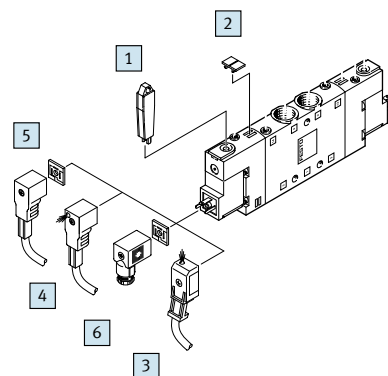
18mm CPE valves 230 V AC	
Type	Part No.
CPE18-M3H-3GL-1/4	163785
CPE18-M3H-3GLS-1/4	163789
CPE18-M3H-3OL-1/4	163784
CPE18-M3H-3OLS-1/4	163788
CPE18-M3H-5L-1/4	163786
CPE18-M3H-5LS-1/4	163790
CPE18-M3H-5J-1/4	163787
CPE18-M3H-5JS-1/4	163791
CPE18-M3H-5/3G-1/4	170319
CPE18-M3H-5/3GS-1/4	170320

24mm CPE valves 24 V DC	
Type	Part No.
CPE24-M1H-3GL-3/8	163165
CPE24-M1H-3GLS-3/8	163169
CPE24-M1H-3OL-3/8	163164
CPE24-M1H-3OLS-3/8	163168
CPE24-M1H-5L-3/8	163166
CPE24-M1H-5LS-3/8	163170
CPE24-M1H-5J-3/8	163167
CPE24-M1H-5JS-3/8	163171
CPE24-M1H-5/3G-3/8	170265
CPE24-M1H-5/3GS-3/8	170266

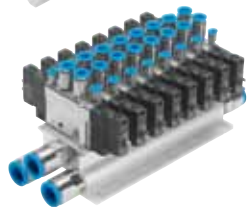
24mm CPE valves 110 V AC	
Type	Part No.
CPE24-M2H-3GL-3/8	163809
CPE24-M2H-3GLS-3/8	163813
CPE24-M2H-3OL-3/8	163808
CPE24-M2H-3OLS-3/8	163812
CPE24-M2H-5L-3/8	163810
CPE24-M2H-5LS-3/8	163814
CPE24-M2H-5J-3/8	163811
CPE24-M2H-5JS-3/8	163815
CPE24-M2H-5/3G-3/8	170301
CPE24-M2H-5/3GS-3/8	170302

24mm CPE valves 230 V AC	
Type	Part No.
CPE24-M3H-3GL-3/8	163833
CPE24-M3H-3GLS-3/8	163837
CPE24-M3H-3OL-3/8	163832
CPE24-M3H-3OLS-3/8	163836
CPE24-M3H-5L-3/8	163834
CPE24-M3H-5LS-3/8	163838
CPE24-M3H-5J-3/8	163835
CPE24-M3H-5JS-3/8	163839
CPE24-M3H-5/3G-3/8	170337
CPE24-M3H-5/3GS-3/8	170338

CPE Valve							
	Size				Description	Part	Part No.
	10	14	18	24			
1	x	x			Manual override tool	AHB-MZB AHB-MEB	157600 157601
2	x	x	x	x	Inscription label	IBS - 6 x 10	18576
3	x	x			24V DC cable, 2.5m with LED	KMYZ-9-24 - 2,5 PUR	193687
4			x	x	24V DC cable, 2.5m with LED	KMEB-1-24 - 2,5-LED	151688
5			x	x	AC cable, 2.5m	KMEB-1-230 - 2,5	151690
6			x	x	Plug socket without cable	MSSD-EB	151687

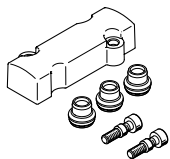


Solenoid valves... compact performance CPE, range accessories

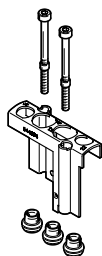


- Sturdy design
- Easy assembly/dismantling of valves on rails
- Individual decentralisation of 2 to 10 valves per rail possible

Note: number at the end of description signifies number of valves positions 2...10



Blanking plate to cover unused positions on PRS manifold type CPExx – RPx



CPE SET for mounting valves onto PRS manifold

Manifold base for 10mm 3/2 way valves

Description	Part No.
CPE10-3/2-PRS-1/4-2	550550
CPE10-3/2-PRS-1/4-3	550551
CPE10-3/2-PRS-1/4-4	550552
CPE10-3/2-PRS-1/4-5	550553
CPE10-3/2-PRS-1/4-6	550554
CPE10-3/2-PRS-1/4-7	550555
CPE10-3/2-PRS-1/4-8	550556
CPE10-3/2-PRS-1/4-9	550557
CPE10-3/2-PRS-1/4-10	550558
Mountings / blanking plate	
CPE10-RP3	550580
CPE10-H3-SET	550577

Manifold base for 14mm 3/2 way valves

Description	Part No.
CPE14-3/2-PRS-3/8-2	550559
CPE14-3/2-PRS-3/8-3	550560
CPE14-3/2-PRS-3/8-4	550561
CPE14-3/2-PRS-3/8-5	550562
CPE14-3/2-PRS-3/8-6	550563
CPE14-3/2-PRS-3/8-7	550564
CPE14-3/2-PRS-3/8-8	550565
CPE14-3/2-PRS-3/8-9	550566
CPE14-3/2-PRS-3/8-10	550567
Mountings / blanking plate	
CPE14-RP3	550581
CPE14-H3-SET	550578

Manifold base for 18mm 3/2 way valves

Description	Part No.
CPE18-3/2-PRS-3/8-2	550568
CPE18-3/2-PRS-3/8-3	550569
CPE18-3/2-PRS-3/8-4	550570
CPE18-3/2-PRS-3/8-5	550571
CPE18-3/2-PRS-3/8-6	550572
CPE18-3/2-PRS-3/8-7	550573
CPE18-3/2-PRS-3/8-8	550574
CPE18-3/2-PRS-3/8-9	550575
CPE18-3/2-PRS-3/8-10	550576
Mountings / blanking plate	
CPE18-RP3	550582
CPE18-H3-SET	550579

Manifold base for 10mm 5/2 way valves

Description	Part No.
CPE10-PRS-1/4-2	543821
CPE10-PRS-1/4-3	543822
CPE10-PRS-1/4-4	543823
CPE10-PRS-1/4-5	543824
CPE10-PRS-1/4-6	543825
CPE10-PRS-1/4-7	543826
CPE10-PRS-1/4-8	543827
CPE10-PRS-1/4-9	543828
CPE10-PRS-1/4-10	543829
Mountings / blanking plate	
CPE10-RP	544479
CPE10-H5-SET	544394

Manifold base for 14mm 5/2 way valves

Description	Part No.
CPE14-PRS-3/8-2	543830
CPE14-PRS-3/8-3	543831
CPE14-PRS-3/8-4	543832
CPE14-PRS-3/8-5	543833
CPE14-PRS-3/8-6	543834
CPE14-PRS-3/8-7	543835
CPE14-PRS-3/8-8	543836
CPE14-PRS-3/8-9	543837
CPE14-PRS-3/8-10	543838
Mountings / blanking plate	
CPE14-RP	544480
CPE14-H5-SET	544395

Manifold base for 18mm 5/2 way valves

Description	Part No.
CPE18-PRS-3/8-2	543839
CPE18-PRS-3/8-3	543840
CPE18-PRS-3/8-4	543841
CPE18-PRS-3/8-5	543842
CPE18-PRS-3/8-6	543843
CPE18-PRS-3/8-7	543844
CPE18-PRS-3/8-8	543845
CPE18-PRS-3/8-9	543846
CPE18-PRS-3/8-10	543847
Mountings / blanking plate	
CPE18-RP	544481
CPE18-H5-SET	544396

Ingenuity in practice! Easy to buy, easy to install

VUVG valve range – outstanding performance

The VUVG is not only excellent in operation, but in other areas too. Where else can you find a standard valve with retained mounting screws, an integrated positive-locking seal, and an electric box which is installed with a single click?

Voltages 5, 12, 24 VDC
Sizes M3, M5, M7, 1/8"
'S' option separate pilot air option for low pressure or vacuum operation (-0.9 to 10 bar)



No additional components required to mount an individual valve onto a valve manifold

Electric box: click in and go with patented contact system
Plug options: Festo, SMC, M8 or flying lead

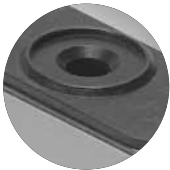
Integrated 360° LED for fast switching status review, all round visibility in all mounting positions



Manual override for fast commissioning and fault finding
Optional caps for impulse function or to prevent tampering

Less space, more economic
2 x 3/2 way valves in one body

Manifold 'key' prevents incorrect valve assembly
Faster assembly: right first time



Positive-locking seal detents into valve: no seals dropping off during assembly or maintenance



Patented cartridge seal for longer life
Non overlapping seals for reverse flow and two pressure operation

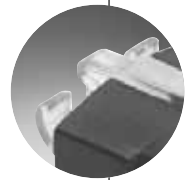
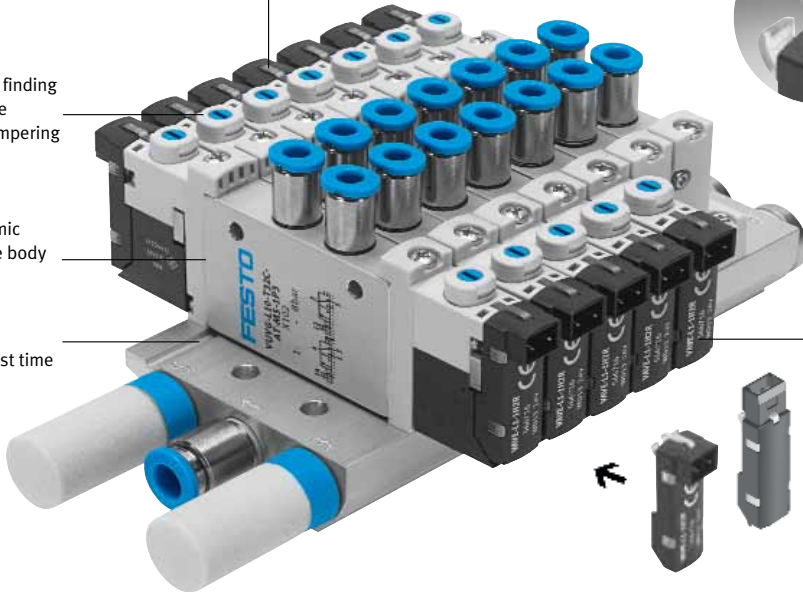
Retained mounting screws: secure assembly with no loss of screws



Highly flexible: individual valves can be assembled in series without an additional manifold strip thanks to axial mounting bores



Several pressure zones possible on a single manifold with quick and easy zoning plugs and auxiliary air supply plates



Solenoid valves... high performance VUVG



Inline



Sub-base

- More performance - less space
- Quick and easy installation
- Easy ordering
- Port sizes: M5, M7, G1/8
- Flow rates: 220, 380, 750 l/min
- Voltage variants: 24 V DC

Design features:

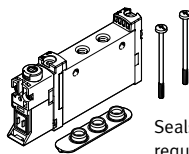
- 360° view status LED for faster set-up and fault finding
- Retained mounting screws, no dropped parts for robust, secure assembly
- Positive locking seal, retained, prevents incorrect assembly, ensures correct valve installation
- Pressure zone plug, one manifold can do the job of several, saving cost and space

Inline valves

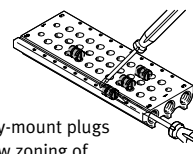
VUVG valves with inline outlet ports (requires seals, screws and electric box)					
Size	Single solenoid 2x3/2 in one body	Single solenoid 5/2	Double solenoid 5/2	Blanking plate VABB	Seals & screws (1 seal, 2 screws)*
M5	566454	566457	566458	566462	566672
M7	566471	566474	566475	566462	566673
1/8"	566496	566499	566500	569989	566675

*Min. order quantity 10 pieces

Manifold for valves with inline outlet ports VABM-L1-10S-G18-x								
Size	Positions						Auxiliary air supply plate VABF	Zoning plug VABD
	2	3	4	6	8	10		
M5/M7	566558	566559	566560	566562	566564	566566	569992	569995
1/8"	566618	566619	566620	566622	566624	566626	569993	569996



Seals and screws
required to mount
inline valves

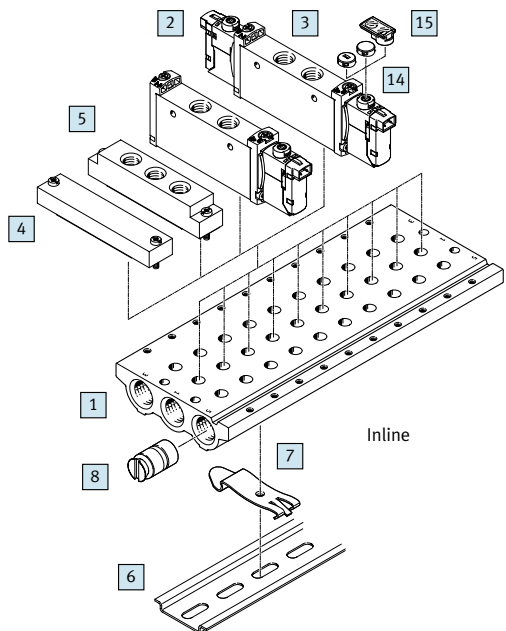


Easy-mount plugs
allow zoning of
pressure channels

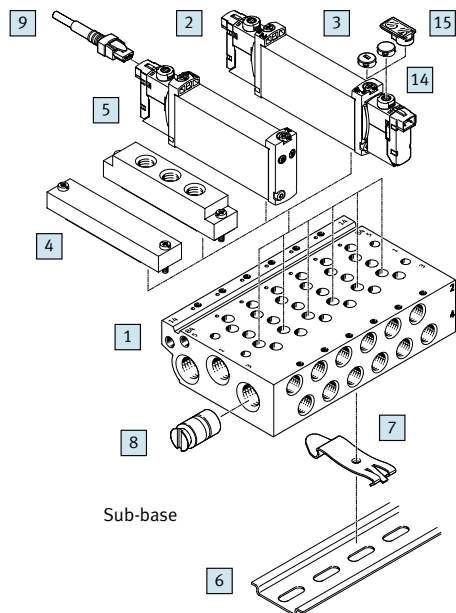
Sub-base valves

VUVG valves with sub-base outlet ports (requires electric box, includes seals and screws)				
Size	Single solenoid 2x3/2 in one body	Single solenoid 5/2	Double solenoid 5/2	Blanking plate VABB
M5	566487	566490	566491	569986
M7	566487	566490	566491	566495
1/8"	566513	566516	566517	569989

Manifold for valves with sub-base outlet ports VABM-L1-10W-G18-x								
Size	Positions						Auxiliary air supply plate	Zoning plug
	2	3	4	6	8	10		
M5	566582	566583	566584	566586	566588	566590	569990	570872
M7	566606	566607	566608	566610	566612	566614	569992	569994
1/8"	566642	566643	566644	566646	566648	566650	569993	569996

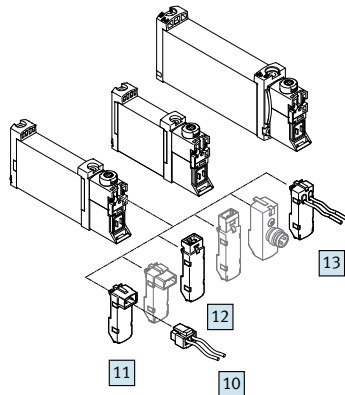


Inline



Sub-base

- | | | | |
|---|----------------------|----|---|
| 1 | Manifold rail VABM | 9 | Plug with sheathed cable NEBV...P |
| 2 | Solenoid valve VUVG | 10 | Plug with unsheathed cable NEBV...KN |
| 3 | Solenoid valve VUVG | 11 | Electric box with horizontal plug VAVE...H2 |
| 4 | Blanking plate VABB | 12 | Electric box with vertical plug VAVE...H3 |
| 5 | Supply plate VABF | 13 | Electric box with flying lead VAVE...L |
| 6 | H-rail NRH | 14 | Manual override cover VMPA |
| 7 | H-rail mounting VAME | 15 | Label holder ASLR |
| 8 | Zoning plug VABD | | |



Electric box, fits all valves - plug types require cable (NEBV)

	Type	Part No.	Cable length (m)
Horizontal plug	VAVE-L1-1VH2-LP	566714	
Vertical plug	VAVE-L1-1VH3-LP	566715	
Flying lead	VAVE-L1-1VL1-LP	566722	0.5
	VAVE-L1-1VL2-LP	566723	1
	VAVE-L1-1VL3-LP	566724	2.5

Accessories

	Type	Part No.
Labels and covers for manual override (pack of 10)		
Covered	VMPA-HBV-B	540898
Non-detenting	VMPA-HBT-B	540897
Label holder	ASLR-D-L1	570818
H (DIN) rail clip*	VAME-T-M4	569998

*Two pieces

Plugs with cables for E-box with axial or lateral plugs

	Type	Part No.	Cable length (m)
Without sheathing	NEBV-H1G2-KN-0.5-LE	566654	0.5
	NEBV-H1G2-KN-1-LE2	566655	1
	NEBV-H1G2-KN-2.5-LE	566656	2
With sheathing	NEBV-H1G2-P-0.5-LE2	566658	0.5
	NEBV-H1G2-P-1-LE2	566659	1
	NEBV-H1G2-P-2.5-LE2	566660	2

Boxed set air service units



Successfully proven over many years, ideal for all standard applications – the ready assembled D-series boxed sets. Safety and reliability with the unique, easy-set Red / Green pressure gauges. A complete ready to fit solution at a very competitive price.

Proved a million times over

Ultra-robust design and maximum reliability, thanks to metal bodies, all metal bowl guards and a sturdy connection system.

Available fast, installed fast

Pre-assembled units complete isolation valves, exhaust air silencers and mounting brackets make this a quick and easy system to select and even quicker to mount.

Where additional functionality is required there are more than 400 units in the complete D-series range available for fast delivery and installation. Festo plug and work®.

Choice of sizes

Choose between the mini 1/4" size or the midi 1/2" size with a choice of combinations with or without oil mist lubricator.

Service units... boxed set air service units D Series

Pre-assembled solutions available straight from stock

Over 400 variants of the D Series are awaiting your orders for delivery within 24 hours.

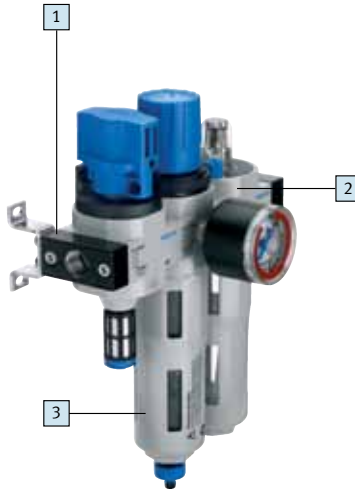
Ideal for all standard applications:

The D Series provides you with all the basic functions you need for modern air preparation.

Function valves, filters, regulators, dryers and lubricators - the D Series covers all your requirements for standard air preparation.

Additional combinations and variations available.

- 1 Sturdy tie-rod connection system with robust threaded pins. Positive-locking connections for minimal leakage rates
- 2 Coated smooth surfaces for enhanced corrosion protection and excellent ease of cleaning
- 3 All-metal bowl guards and metal bodies for protection against mechanical impacts and chemical attack



Assists compliance with Machinery Directive 98/37 EC



Exhaust silencer 77 dB (A) for improved operator comfort and safety



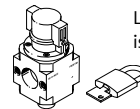
Clear operating zone pressure setting red/green TPM gauge



Robust metal bowl guard for reliability and safety in harsh environments



Maintenance free automatic condensate drain



Lockable energy isolating valve



Max. 16 bar
max. 60°C



Products do not require certification for use under the scope of ATEX 94/9/EC for gas and dust zones 1,2,21 & 22

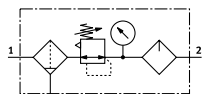
Air preparation boxed set ready assembled with filter, regulator and optional air mist lubricator complete with isolation valve, silencer, red/green pressure gauge and mountings

Part No.	Size	Type
555734	Mini 1/4"	LFR without lubricator
555733	Mini 1/4"	FRC with lubricator
555735	Midi 1/2"	LFR without lubricator
555730	Midi 1/2"	FRC with lubricator

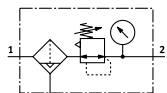
Service units... D Series polymer



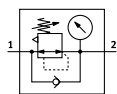
- Performance polymer with robust connection technology
- Can be combined with metal components of D series service units
- Connection sizes: G1/8", G1/4"
- Short delivery time, available ex-stock – pre-assembled and tested



Filter-regulator-lubricator



Filter-regulator



Regulator

Overview code explanation

Type		
FRC	Filter, regulator, lubricator	
LFR	Filter regulator	
LR	Pressure regulator	
Pneumatic connection		
1/8	Thread G1/8"	
1/4	Thread G1/4"	
Series		DB
DB	Series	
Pressure regulation range		7
7	0,5...7 bar	
Grade of filtration		
-	40 µm	
5M	5 µm	
Pressure gauge		
-	With pressure gauge	
0	Without pressure gauge	
Size		MINI
Mini		
Condensate drain		
-	Manual	
H	Semi automatic	

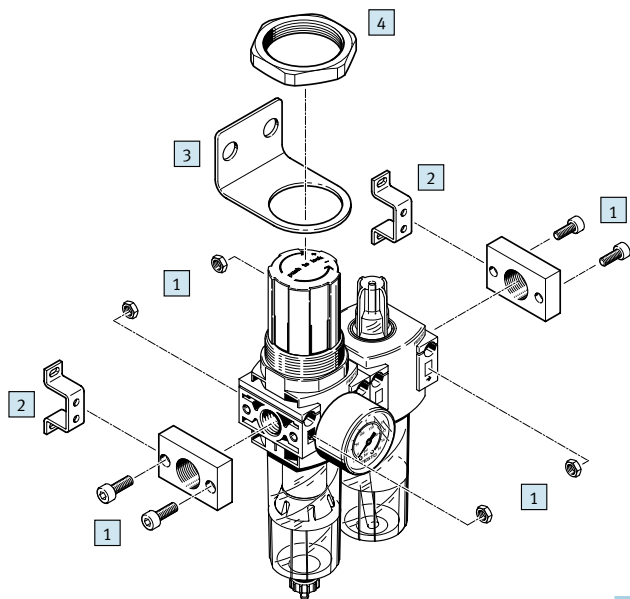
Service units, D series, Polymer design

Type	Part No.
FRC-1/8-DB-7-MINI	537655
FRC-1/4-DB-7-MINI	537654
FRC-1/8-DB-7-MINI-H	537657
FRC-1/4-DB-7-MINI-H	537656
LFR-1/8-DB-7-MINI	539683
LFR-1/4-DB-7-MINI	539685
LFR-1/8-DB-7-MINI-H	539684
LFR-1/4-DB-7-MINI-H	539686
LR-1/8-DB-7-MINI	539681
LR-1/4-DB-7-MINI	539682
LR-1/8-DB-7-0-MINI	537642
LR-1/4-DB-7-0-MINI	537643



Filter regulator without gauge

Peripherals overview – D series, Polymer



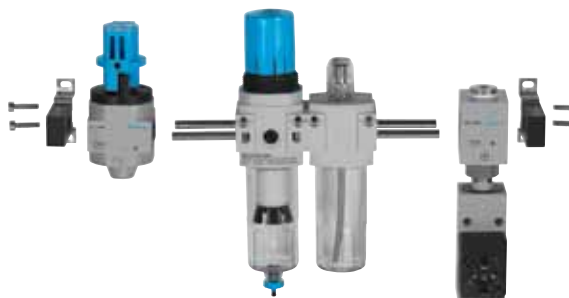
Description	Size BSP	Part No.
1 Connecting plate kit PBL	1/8"	542787
	1/4"	542788
2 Mounting bracket HFOE	-	159638
3 Mounting bracket HRD	-	164936
4 Hex nut HMR	-	530025



Filter regulator with gauge



Filter regulator, lubricator with gauge

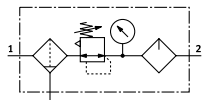


Assembly with other components from the D Series range

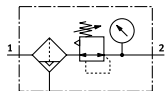
Service units... D Series metal



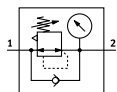
- Sturdy and reliable metal body series
- Excellent flow performance for size
- 3 featured sizes: Mini, Midi, Maxi
- Micro range M5 & M7 also available
- 2 pressure ranges 7 or 12 bar
- Copper & PTFE free
- Massive range of functions
- Pre-assembled combinations



Filter-regulator-lubricator



Filter-regulator



Regulator

Order code explanation

Type		
FRC	Filter regulator lubricator	
LFR	Filter regulator	
LR	Pressure regulator	

Pneumatic connection

Mini Grid dimension 40mm		
1/8", 1/4", 3/8"	Thread G1/8", G1/4", G3/8"	
Midi Grid dimension 55mm		
3/8", 1/2", 3/4"	Thread G3/8", G1/2", G3/4"	
Maxi Grid dimension 60mm		
1/2", 3/4", 1"	Thread G1/2", G3/4", G1"	

Series		D
D	Series	

Pressure regulation range		
-	0,5...12 bar	
7	0,5...7 bar	

Grade of filtration		
-	40 µm	
5M	5 µm (pressure regulation range 0.5...12 bar)	

Pressure gauge		
-	With pressure gauge	
0	Without pressure gauge	

Condensate drain		
-	Manual	
A	Fully automatic	

D Series metal - regulator	
Type	Part No.
LR-1/8-D-MINI	159624
LR-1/4-D-MINI	159625
LR-3/4-D-MIDI	159580
LR-1/2-D-MIDI	159581
LR-3/4-D-MAXI	159626
LR-1-D-MAXI	159627

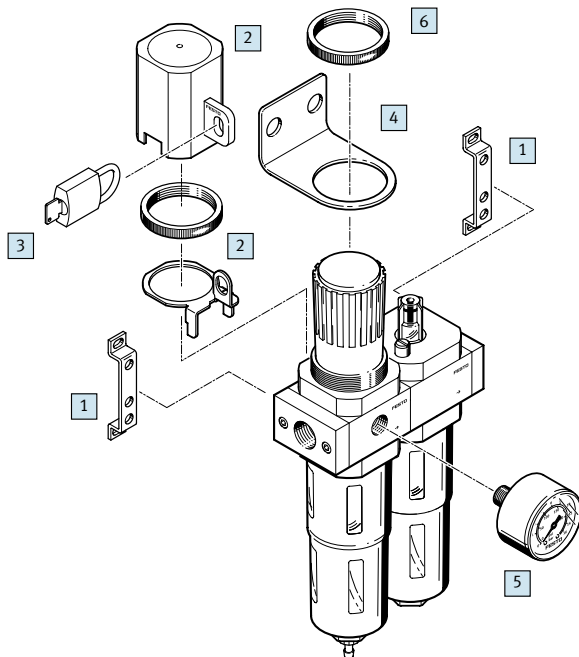
D Series metal - filter, regulator	
Type	Part No.
LFR-1/8-D-MINI	159630
LFR-1/4-D-MINI	159631
LFR-3/8-D-MIDI	159582
LFR-1/2-D-MIDI	159584
LFR-3/4-D-MAXI	159632
LFR-1-D-MAXI	159633
LFR-1/8-D-MINI-A	159634
LFR-1/4-D-MINI-A	159635
LFR-3/8-D-MIDI-A	159583
LFR-1/2-D-MIDI-A	159585
LFR-3/4-D-MAXI-A	159636
LFR-1/D-MAXI-A	159637

D Series metal - filter, regulator, lubricator	
Type	Part No.
FRC-1/8-D-MINI	159604
FRC-1/4-D-MINI	159605
FRC-3/8-D-MIDI	159588
FRC-1/2-D-MIDI	159590
FRC-3/4-D-MAXI	159606
FRC-1-D-MAXI	159607
FRC-1/8-D-MINI-A	159608
FRC-1/4-D-MINI-A	159609
FRC-1/4-D-MIDI-A	159589
FRC-3/8-D-MIDI-A	159591
FRC-3/4-D-MAXI-A	159610
FRC-1-D-MAXI-A	159611

Peripherals overview – Mini-Midi-Maxi

Description	Mini-Midi-Maxi	Part No.
1 Mounting bracket HFOE	Mini	159638
	Midi-Maxi	159593
2 Regulator lock LRVS	Mini	193781
	Midi	193782
	Maxi	193783
3 Padlock LRVS-D		193786
4 Mounting bracket HRD	Mini	164936
	Midi	162804
	Maxi	162805
5 Pressure gauge MA		
6 Knurled nut HMR *	Midi	530026
	Mini Maxi	530025

*included in scope of delivery



Soft start and exhaust valve... MS6-SV



- Electropneumatic soft-start and exhaust valve to reduce pressure quickly and reliably and to build up pressure gradually
- Self testing and redundant mechatronic system in accordance with ISO 13489-1 Category 3 and 4, performance level 'd' and 'e' when installed correctly
- Flow rate: 4300 l/min (P1→P2), 6,000l/min (P2→P3)
- When starting a machine the slow introduction of air enables pressure to climb gradually, actuators move at a slower pace to their home position preventing sudden 'jerky' movements from pre-exhausted cylinders. In the event of emergency stop compressed air is quickly exhausted through the valve. Operation is ensured through regular self-test operation and inbuilt redundancy. High flow silencer with minimised restriction enables high flows even with contaminated air.

Order code explanation

Type		MS
MS	Standard service unit	
Size		6
6	Grid dimension 62 mm	
Service function		SV
SV	Soft start and exhaust valve	
Connection sizes		1/2
1/2	Thread G1/2	
Performance level		E
E	Category 3 and 4 PL 'd' and 'e', 2-channel with self monitoring, maximum attainable according to ISO 13849-1	
Supply voltage		10V24
10V24	Supply voltage 24V DC	
Silencer		
	Without silencer	
SO	Silencer, open	
Pressure gauge/ adapter plate		
AG	MS pressure gauge	
AD1	Pressure sensor with display, plug M8, PNP, 3-pin	

Note: Further options can be ordered using the modular system, contact your local Festo Premier Stockist or go to www.festo.co.uk/catalogue

Description	Type	Part No.
Soft start / exhaust valve	MS6-SV-1/2-D-10V24-AG	548715
Soft start / exhaust valve	MS6-SV-1/2-D-10V24-AD1	562580
Soft start / exhaust valve	MS6-SV-1/2-D-10V24-SO-AG	548717
Multi-pin plug (EN1=24 V)	NECA-S1G9-P9-MP1	548719
Multi-pin plug (EN1=0 V)	NECA-S1G9-P9-MP3	552703
Open flow silencer	UOS-1	552252

Order code explanation

Type		
PEN	Polyethylene	
PUN-H	Polyurethane	

Outside dia. OD mm	Tube wall thickness		
	PEN	PUN-H	
4	x0.75	x0.6	
6	x1	x0.8	
8	x1.25	x1	
10	x1.5	x1.25	
12	x1.75	x1.6	
16	x2.5	-	

Colour	PEN	PUN-H	
NT	Natural	Natural	
SI	Silver	Silver	
BL	Blue	Blue	
SW	Black	Black	
GE	Yellow	Yellow	
GN	Green	Green	
RT	Red	Red	

Roll length m		
PEN	PUN-H	
50, 500	50, 200, 300, 400, 500	



Cost effective superflex polyethylene PEN

- Memory for kink recovery
- Resistant to cleaning agents

Hydrolysis resistant polyurethane PUN-H

- Approved for use in food industry
- Flexible and easy to use

PEN polyethylene tubing	
Order code	Part No.
PEN-4x0.75-NT	543246
PEN-4x0.75-SW	543240
PEN-6x1-NT	543247
PEN-6x1-SW	543241
PEN-8x1.25-NT	543248
PEN-8x1.25-SW	543242
PEN-10x1.5-NT	543249
PEN-10x1.5-SW	543243
PEN-12x1.75-NT	543250
PEN-12x1.75-SW	543244
PEN-16x2.5-NT	543251
PEN-16x2.5-SW	543245

PUN-H polyurethane tubing	
Order code	Part No.
PUN-H-4x0,6-SI	535320
PUN-H-4x0,6-SI-500	534170
PUN-H-4x0,6-BL	535325
PUN-H-4x0,6-BL-500	534171
PUN-H-6x0,8-SI	535321
PUN-H-6x0,8-SI-500	534172
PUN-H-6x0,8-BL	535326
PUN-H-6x0,8-BL-500	534173
PUN-H-8x1-SI	535322
PUN-H-8x1-SI-400	534174
PUN-H-8x1-BL	535327
PUN-H-8x1-BL-400	534175
PUN-H-10x1,25-SI	535323
PUN-H-10x1,25-SI-300	534176
PUN-H-10x1,25-BL	535328
PUN-H-10x1,25-BL-300	534177
PUN-H-12x1,6-SI	535324
PUN-H-12x1,6-SI-200	534178
PUN-H-12x1,6-BL	535329
PUN-H-12x1,6-BL-200	534179

Fittings... push-in Quick Star QSB



- Simple and reliable connection and release
- Wide range of variants available:
standard, mini, metal, stainless steel,
flame retardent
- Improved sealing and tube grip

Order code explanation

Type			QS-B
QS-B	Straight fitting external hex thread-tube	1	
QS-B...-I	Straight fitting internal hex thread-tube	2	
QS-B	Push-in connector tube-tube	3	
QSL-B	Elbow fitting thread-tube	4	
QSL-B	Long elbow fitting thread-tube	5	
QSL-B	Push-in L connector tube-tube	6	
QST-B	Push-in T fitting thread-tube	7	
QST-B	Push-in T connector tube-tube	8	
QSTL-B	Push-in T fitting thread-tube	9	
QSY-B	Push-in Y fitting thread-tube	10	
QSY-B	Push-in Y connector tube-tube	11	

Thread	R thread	
1/8	R1/8"	
1/4	R1/4"	
3/8	R3/8"	
1/2	R1/2"	

Tube outside diameter Ømm	
4,6,8,10,12,16	

Quantity per pack	
10,20	

1 QS-B



2 QS-B...-I



1 Push in fitting QS-B Male thread with external hex/R thread	
Order code	Part No.
QS-B-1/8-4-20	130914
QS-B-1/8-6-20	130915
QS-B-1/8-8-20	130916
QS-B-1/8-10-20	132120
QS-B-1/4-4-20	130917
QS-B-1/4-6-20	130918
QS-B-1/4-8-20	130919
QS-B-1/4-10-20	132121
QS-B-1/4-12-20	132122
QS-B-3/8-6-10	130920
QS-B-3/8-8-10	130921
QS-B-3/8-10-10	130922
QS-B-3/8-12-10	132123
QS-B-3/8-16-10	132124
QS-B-1/2-10-10	130924
QS-B-1/2-12-10	130925
QS-B-1/2-16-10	132125

2 Push in fitting QS-B...-I Male thread with internal hex/R thread	
Order code	Part No.
QS-B-1/8-4-I-20	130990
QS-B-1/8-6-I-20	130991
QS-B-1/8-8-I-20	130992
QS-B-1/8-10-I-20	132151
QS-B-1/4-6-I-20	130994
QS-B-1/4-8-I-20	130995
QS-B-1/4-10-I-20	132152
QS-B-1/4-12-I-20	132153
QS-B-3/8-8-I-10	130997
QS-B-3/8-10-I-10	130998
QS-B-3/8-12-I-10	132154
QS-B-1/2-10-I-10	132000
QS-B-1/2-12-I-10	132001

3 Push in fitting QS-B Tube push-in connector	
Order code	Part No.
QS-B-4-20	130964
QS-B-6-20	130965
QS-B-8-20	130966
QS-B-10-10	130967
QS-B-12-10	130968
QS-B-16-10	132144
Reducing	
QS-B-6-4-20	130969
QS-B-8-4-20	132145
QS-B-8-6-20	130970
QS-B-10-6-20	132146
QS-B-10-8-10	130971
QS-B-12-8-10	132147
QS-B-12-10-10	130972

4 Push in L-fitting QSL-B Rotatable 360°, male thread with external hex	
Order code	Part No.
QSL-B-1/8-4-20	130926
QSL-B-1/8-6-20	130927
QSL-B-1/8-8-20	130928
QSL-B-1/8-10-20	132126
QSL-B1/4-4-20	130929
QSL-B1/4-6-20	130930
QSL-B1/4-8-20	130931
QSL-B1/4-10-20	132127
QSL-B1/4-12-20	132128
QSL-B-3/8-6-10	130932
QSL-B-3/8-8-10	130933
QSL-B-3/8-10-10	130934
QSL-B-3/8-12-10	132129
QSL-B-3/8-16-10	132130
QSL-B-1/2-10-10	130936
QSL-B-1/2-12-10	130937
QSL-B-1/2-16-10	132131

5 Push in long L-fitting QSLL-B Rotatable 360°, male thread with external hex	
Order code	Part No.
QSLL-B-1/8-4-20	132002
QSLL-B-1/8-6-20	132003
QSLL-B-1/8-8-20	132004
QSLL-B1/4-4-20	132155
QSLL-B1/4-6-20	132006
QSLL-B1/4-8-20	132007
QSLL-B1/4-10-20	132156
QSLL-B-3/8-6-10	132008
QSLL-B-3/8-8-10	132009
QSLL-B-3/8-10-10	132010
QSLL-B-3/8-12-10	132157
QSLL-B-1/2-10-10	132012
QSLL-B-1/2-12-10	132013

6 Push in L connector QSL-B Tube push-in connector	
Order code	Part No.
QSL-B-4-20	130950
QSL-B-6-20	130951
QSL-B-8-20	130952
QSL-B-10-10	130953
QSL-B-12-10	130954
QSL-B-16-10	132138



3 QS-B



4 QSL-B



5 QSLL-B



6 QSL-B

Fittings... push-in Quick Star QSB continued, blanking plugs & silencers

7 QST-B



8 QSTL-B



9 QSY-B



10 QSY-B



B-...



UC



U



7 Push in T-fitting QST-B Rotatable 360°, male thread with external hex

Order code	Part No.
QST-B-1/8-4-20	130938
QST-B-1/8-6-20	130939
QST-B-1/8-8-20	130940
QST-B-1/8-10-20	132132
QST-B1/4-4-20	130941
QST-B1/4-6-20	130942
QST-B1/4-8-20	130943
QST-B1/4-10-20	132133
QST-B1/4-12-20	132134
QST-B-3/8-6-10	130944
QST-B-3/8-8-10	130945
QST-B-3/8-10-10	130946
QST-B-3/8-12-10	132135
QST-B-3/8-16-10	132136
QST-B-1/2-10-10	130948
QST-B-1/2-12-10	130949
QST-B-1/2-16-10	132137

8 Push in fitting QSTL-B Rotatable 360°, male thread with external hex

Order code	Part No.
QSTL-B-1/8-4-20	130978
QSTL-B-1/8-6-20	130979
QSTL-B-1/8-8-20	130980
QSTL-B-1/4-4-20	130981
QSTL-B-1/4-6-20	130982
QSTL-B-1/4-8-20	130983
QSTL-B-3/8-6-10	130984
QSTL-B-3/8-8-10	130985
QSTL-B-3/8-10-10	130986
QSTL-B-3/8-12-10	132149
QSTL-B-1/2-10-10	130988
QSTL-B-1/2-12-10	130989
QSTL-B-1/2-16-10	132150

9 Push in Y-connector QSY-B Rotatable 360°, male thread with external hex

Order code	Part No.
QSY-B-1/8-4-20	132014
QSY-B-1/8-6-20	132015
QSY-B-1/8-8-20	132016
QSY-B1/4-4-20	132017
QSY-B1/4-6-20	132018
QSY-B1/4-8-20	132019
QSY-B1/4-10-20	132160
QSY-B-3/8-6-10	132020
QSY-B-3/8-8-10	132021
QSY-B-3/8-10-10	132022
QSY-B-3/8-12-10	132161
QSY-B-1/2-10-10	132024
QSY-B-1/2-12-10	132025

10 Push in fitting QSY-B Tube push-in connector

Order code	Part No.
QSY-B-4-20	130955
QSY-B-6-20	130956
QSY-B-8-20	130957
QSY-B-10-10	130958
QSY-B-12-10	130959
QSY-B-16-10	132139
Reducing fitting	
QSY-B-6-4-20	130960
QSY-B-8-4-20	132140
QSY-B-8-6-20	130961
QSY-B-10-6-10	132141
QSY-B-10-8-10	130962
QSY-B-12-8-10	132142
QSY-B-12-10-10	130963
QSY-B-16-12-10	132143

Blanking plugs and silencers (other sizes available)

Blanking plugs, 10 pieces per pack

Description	Type	Part No.
For thread M5	B-M5-B	534212
For thread G1/8	B-1/8	3568
For thread G1/4	B-1/4	3569
For thread G3/8	B-3/8	3570
For thread G1/2	B-1/2	3571

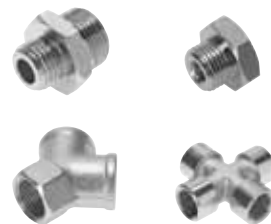
Silencers

Description	Type	Part No.
Compact	UC-1/8	161419
Polymer	U-1/8	2307
Compact	UC-1/4	165004
Polymer	U-1/4	2316
Die-cast metal	U-1/4-B	6842
Die-cast metal	U-1/2-B	6844

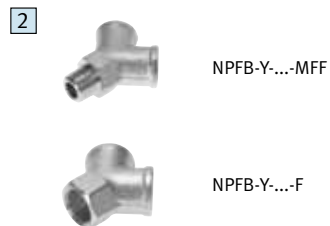
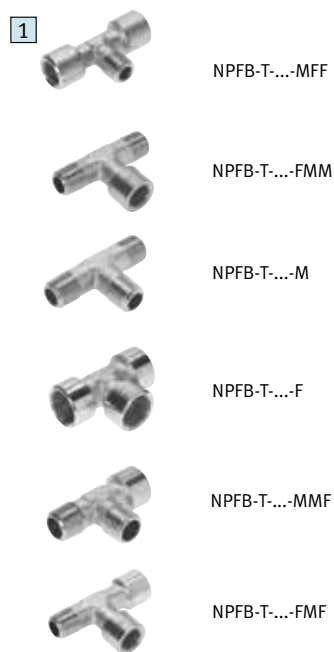
Fittings... threaded and standard fittings NPFB

1 T-fitting			
Type	Part No.	Port 1	Port 2
NPFB-T-R38-2G38-MFF	547754	R3/8	G3/8
NPFB-T-R34-2G34-MFF	547756	R3/4	G3/4
NPFB-T-R18-2G18-MFF	547752	R1/8	G1/8
NPFB-T-R14-2G14-MFF	547753	R1/4	G1/4
NPFB-T-R12-2G12-MFF	547755	R1/2	G1/2
NPFB-T-R1-2G1-MFF	547757	R1	G1
NPFB-T-G38-2R38-FMM	547773	G3/8	R3/8
NPFB-T-G18-2R18-FMM	547771	G1/8	R1/8
NPFB-T-G14-2R14-FMM	547772	G1/4	R1/4
NPFB-T-G12-2R12-FMM	547774	G1/2	R1/2
NPFB-T-3R38-M	547767	R3/8	
NPFB-T-3R34-M	547769	R3/4	
NPFB-T-3R18-M	547765	R1/8	
NPFB-T-3R14-M	547766	R1/4	
NPFB-T-3R12-M	547768	R1/2	
NPFB-T-3R1-M	547770	R1	
NPFB-T-3M5-MFF	547751	M5	
NPFB-T-3M5-FMF	547758	M5	
NPFB-T-3M5-F	547744	M5	
NPFB-T-3G38-F	547747	G3/8	
NPFB-T-3G34-F	547749	G3/4	
NPFB-T-3G18-F	547745	G1/8	
NPFB-T-3G14-F	547746	G1/4	
NPFB-T-3G12-F	547748	G1/2	
NPFB-T-3G1-F	547750	G1	
NPFB-T-2R38-G38-MMF	547777	R3/8	G3/8
NPFB-T-2R18-G18-MMF	547775	R1/8	G1/8
NPFB-T-2R14-G14-MMF	547776	R1/4	G1/4
NPFB-T-2R12-G12-MMF	547778	R1/2	G1/2
NPFB-T-2G38-R38-FMF	547761	G3/8	R3/8
NPFB-T-2G34-R34-FMF	547763	G3/4	R3/4
NPFB-T-2G18-R18-FMF	547759	G1/8	R1/8
NPFB-T-2G14-R14-FMF	547760	G1/4	R1/4
NPFB-T-2G12-R12-FMF	547762	G1/2	R1/2
NPFB-T-2G1-R1-FMF	547764	G1	R1

2 Y-fitting			
Type	Part No.	Port 1	Port 2
NPFB-Y-R38-2G38-MFF	547742	R3/8	G3/8
NPFB-Y-R18-2G18-MFF	547740	R1/8	G1/8
NPFB-Y-R14-2G14-MFF	547741	R1/4	G1/4
NPFB-Y-R12-2G12-MFF	547743	R1/2	G1/2
NPFB-Y-3G38-F	547738	G3/8	
NPFB-Y-3G18-F	547736	G1/8	
NPFB-Y-3G14-F	547737	G1/4	
NPFB-Y-3G12-F	547739	G1/2	



- Threaded port
- Metric thread with sealing ring
- - R thread, PTFE coated
- - G thread with sealing ring.



Fittings... threaded and standard fittings NPFB continued

3 NPFB-X-...-MFFF



NPFB-X-...-F



3 X-fitting			
Type	Part No.	Port 1	Port 2
NPFB-X-R38-3G38-MFFF	547785	R3/8	G3/8
NPFB-X-R18-3G18-MFFF	547783	R1/8	G1/8
NPFB-X-R14-3G14-MFFF	547784	R1/4	G1/4
NPFB-X-R12-3G12-MFFF	547786	R1/2	G1/2
NPFB-X-4G38-F	547781	G3/8	
NPFB-X-4G18-F	547779	G1/8	
NPFB-X-4G14-F	547780	G1/4	
NPFB-X-4G12-F	547782	G1/2	

4 NPFB-S-...-F



4 Sleeve			
Type	Part No.	Port 1	Port 2
NPFB-S-2M5-F	547809	M5	
NPFB-S-2G38-F	547812	G3/8	
NPFB-S-2G34-F	547814	G3/4	
NPFB-S-2G18-F	547810	G1/8	
NPFB-S-2G14-F	547811	G1/4	
NPFB-S-2G12-F	547813	G1/2	

5 NPFB-R-...-MF



NPFB-R-...-FM



5 Reducing nipple			
Type	Part No.	Port 1	Port 2
NPFB-R-G38-G18-MF	547833	G3/8	G1/8
NPFB-R-G38-G18-FM	547819	G3/8	G1/8
NPFB-R-G38-G18-F	547815	G3/8	G1/8
NPFB-R-G38-G14-MF	547834	G3/8	G1/4
NPFB-R-G38-G14-FM	547820	G3/8	G1/4
NPFB-R-G34-G12-MF	547837	G3/4	G1/2
NPFB-R-G34-G12-F	547816	G3/4	G1/2
NPFB-R-G18-M5-MF	547831	G1/8	M5
NPFB-R-G18-M5-FM	547817	G1/8	M5
NPFB-R-G14-G18-MF	547832	G1/4	G1/8
NPFB-R-G14-G18-FM	547818	G1/4	G1/8
NPFB-R-G12-G38-MF	547836	G1/2	G3/8
NPFB-R-G12-G38-FM	547821	G1/2	G3/8
NPFB-R-G12-G14-MF	547835	G1/2	G1/4

6 NPFB-E-...-FM



6 Extension			
Type	Part No.	Port 1	Port 2
NPFB-E4-2G18-FM	547830	G1/8	
NPFB-E3-2G18-FM	547828	G1/8	
NPFB-E3-2G14-FM	547829	G1/4	
NPFB-E2-2G18-FM	547826	G1/8	
NPFB-E2-2G14-FM	547827	G1/4	
NPFB-E1-2G38-FM	547824	G3/8	
NPFB-E1-2G18-FM	547822	G1/8	
NPFB-E1-2G14-FM	547823	G1/4	
NPFB-E1-2G12-FM	547825	G1/2	

7 Elbow fitting			
Type	Part No.	Port 1	Port 2
NPFB-L-R38-G38-MF	547725	R3/8	G3/8
NPFB-L-R34-G34-MF	547727	R3/4	G3/4
NPFB-L-R18-G18-MF	547723	R1/8	G1/8
NPFB-L-R14-G14-MF	547724	R1/4	G1/4
NPFB-L-R12-G12-MF	547726	R1/2	G1/2
NPFB-L-R1-G1-MF	547728	R1	G1
NPFB-L-2R38-M	547732	R3/8	
NPFB-L-2R34-M	547734	R3/4	
NPFB-L-2R18-M	547730	R1/8	
NPFB-L-2R14-M	547731	R1/4	
NPFB-L-2R12-M	547733	R1/2	
NPFB-L-2R1-M	547735	R1	
NPFB-L-2M5-MF	547722	M5	
NPFB-L-2M5-M	547729	M5	
NPFB-L-2M5-F	547715	M5	
NPFB-L-2G38-F	547718	G3/8	
NPFB-L-2G34-F	547720	G3/4	
NPFB-L-2G18-F	547716	G1/8	
NPFB-L-2G14-F	547717	G1/4	
NPFB-L-2G12-F	547719	G1/2	
NPFB-L-2G1-F	547721	G1	

7



NPFB-L-...-F



NPFB-L-...-MF



NPFB-L-...-M

8 Double nipple			
Type	Part No.	Port 1	Port 2
NPFB-D-R38-R12-M	547794	R3/8	R1/2
NPFB-D-R18-R38-M	547789	R1/8	R3/8
NPFB-D-R18-R14-M	547788	R1/8	R1/4
NPFB-D-R14-R38-M	547791	R1/4	R3/8
NPFB-D-R14-R12-M	547792	R1/4	R1/2
NPFB-D-R12-R34-M	547796	R1/2	R3/4
NPFB-D-M7-G18-M	547799	M7	G1/8
NPFB-D-G38-G12-M	547807	G3/8	G1/2
NPFB-D-G18-G38-M	547802	G1/8	G3/8
NPFB-D-G18-G14-M	547801	G1/8	G1/4
NPFB-D-G14-G38-M	547804	G1/4	G3/8
NPFB-D-G14-G12-M	547805	G1/4	G1/2
NPFB-D-2R38-M	547793	R3/8	
NPFB-D-2R34-M	547797	R3/4	
NPFB-D-2R18-M	547787	R1/8	
NPFB-D-2R14-M	547790	R1/4	
NPFB-D-2R12-M	547795	R1/2	
NPFB-D-2R1-M	547798	R1	
NPFB-D-2M5-M	550036	M5	
NPFB-D-2G38-M	547806	G3/8	
NPFB-D-2G18-M	547800	G1/8	
NPFB-D-2G14-M	547803	G1/4	
NPFB-D-2G12-M	547808	G1/2	

8



NPFB-D-...-M
reducing



NPFB-D-...-M

Fittings... corrosion resistant NPQP



- Push-in fitting for faster connections
- Polypropylene body, stainless steel clamp ring for high corrosion resistance in harsh environments
- RoHS compliant
- High quality, good aesthetics, lower cost alternative to all stainless fittings
- Thread size R: 1/8" to 1/2"
- Tube size: 4 to 12 mm

1 NPQP-D



2 NPQP-D



3 NPQP-H



4 NPQP-D



5 NPQP-P



6 NPQP-L



1 Push-in fitting male thread, external hex	
Type	Part No.
NPQP-D-R18-Q4	132417
NPQP-D-R18-Q6	132418
NPQP-D-R18-Q8	132419
NPQP-D-R14-Q4	132420
NPQP-D-R14-Q6	132421
NPQP-D-R14-Q8	132422
NPQP-D-R14-Q10	132423
NPQP-D-R38-Q10	132424
NPQP-D-R38-Q12	132425
NPQP-D-R12-Q12	132426

2 Connector tube to tube	
Type	Part No.
NPQP-D-Q4-E	132537
NPQP-D-Q6-E	132538
NPQP-D-Q8-E	132539
NPQP-D-Q10-E	132540
NPQP-D-Q12-E	132542
Connector reducing	
NPQP-D-Q6-Q4	132543
NPQP-D-Q8-Q6	132544
NPQP-D-Q10-Q8	132545
NPQP-D-Q12-Q10	132546

3 Bulkhead connector	
Type	Part No.
NPQP-H-Q4-E	132548
NPQP-H-Q6-E	132549
NPQP-H-Q8-E	132550
NPQP-H-Q10-E	132551
NPQP-H-Q12-E	132552

4 Connector with sleeve	
Type	Part No.
NPQP-D-Q4-S6	132588
NPQP-D-Q4-S8	132589
NPQP-D-Q6-S8	132590
NPQP-D-Q6-S10	132591
NPQP-D-Q8-S10	132592
NPQP-D-Q8-S12	132593
NPQP-D-Q10-S12	132594

5 Blanking plug	
Type	Part No.
NPQP-P-S4	132582
NPQP-P-S6	132583
NPQP-P-S8	132584
NPQP-P-S10	132585
NPQP-P-S12	132586

6 L-fitting	
Type	Part No.
NPQP-L-R18-Q4	132428
NPQP-L-R18-Q6	132429
NPQP-L-R18-Q8	132430
NPQP-L-R14-Q4	132431
NPQP-L-R14-Q6	132432
NPQP-L-R14-Q8	132433
NPQP-L-R14-Q10	132434
NPQP-L-R38-Q10	132435
NPQP-L-R38-Q12	132436
NPQP-L-R12-Q12	132437

7 L-fitting	
Type	Part No.
NPQP-LQ-R18-Q4	132439
NPQP-LQ-R18-Q6	132440
NPQP-LQ-R18-Q8	132441
NPQP-LQ-R14-Q4	132442
NPQP-LQ-R14-Q6	132443
NPQP-LQ-R14-Q8	132444
NPQP-LQ-R14-Q10	132445
NPQP-LQ-R38-Q10	132446
NPQP-LQ-R38-Q12	132447
NPQP-LQ-R12-Q12	132448

8 L-connector	
Type	Part No.
NPQP-L-Q4-E	132554
NPQP-L-Q6-E	132555
NPQP-L-Q8-E	132556
NPQP-L-Q10-E	132557
NPQP-L-Q12	132558

9 T-fitting	
Type	Part No.
NPQP-T-R18-Q4	132450
NPQP-T-R18-Q6	132451
NPQP-T-R18-Q8	132452
NPQP-T-R14-Q4	132453
NPQP-T-R14-Q6	132454
NPQP-T-R14-Q8	132455
NPQP-T-R14-Q10	132456
NPQP-T-R38-Q10	132457
NPQP-T-R38-Q12	132458
NPQP-T-R12-Q12	132459

10 T-connector	
Type	Part No.
NPQP-T-Q4-E	132560
NPQP-T-Q6-E	132561
NPQP-T-Q8-E	132562
NPQP-T-Q10-E	132563
NPQP-T-Q12-E	132564
T-connector reducing	
NPQP-T-Q6-Q4	132566
NPQP-T-Q8-Q6	132567
NPQP-T-Q10-Q8	132568
NPQP-T-Q12-Q10	132569

11 Y-fitting	
Type	Part No.
NPQP-Y-R18-Q4	132461
NPQP-Y-R18-Q6	132462
NPQP-Y-R18-Q8	132463
NPQP-Y-R14-Q4	132464
NPQP-Y-R14-Q6	132465
NPQP-Y-R14-Q8	132466
NPQP-Y-R14-Q10	132467
NPQP-Y-R38-Q10	132468
NPQP-Y-R38-Q12	132469
NPQP-Y-R12-Q12	132470

12 Y-connector	
Type	Part No.
NPQP-Y-Q4-E	132571
NPQP-Y-Q6-E	132572
NPQP-Y-Q8-E	132573
NPQP-Y-Q10-E	132574
NPQP-Y-Q12-E	132575
Y-connector reducing	
NPQP-Y-Q6-Q4	132577
NPQP-Y-Q8-Q6	132578
NPQP-Y-Q10-Q8	132579
NPQP-Y-Q12-Q10	132580



Fittings... push-in metal QS-F



- Solid metal, push-in fitting
- High specification chrome plated body
- High corrosion resistance (CRC3)
- Chemical resistance for washdown areas
- Approved for use in food industry
- Tube size: 4 to 14 mm
- Thread size: M5...G1/2
- For pack quantities please see Online catalogue

1 QS-F



2 QS-F...1



3 QS-F



4 QSL-F



1 Push-in fitting male thread, external hex QS-F	
Type	Part No.
QS-F-M5-4	533844
QS-F-M5-6	533845
QS-F-M7-4	533846
QS-F-M7-6	533847
G thread with sealing ring	
QS-F-G1/8-4	193408
QS-F-G1/8-6	193409
QS-F-G1/8-8	193410
QS-F-G1/4-6	193411
QS-F-G1/4-8	193412
QS-F-G1/4-10	193413
QS-F-G1/4-12	533848
QS-F-G3/8-8	193414
QS-F-G3/8-10	193415
QS-F-G3/8-12	197487
QS-F-G3/8-14	570430
QS-F-G1/2-10	193416
QS-F-G1/2-12	193417
QS-F-G1/2-14	570431

2 Male thread with internal hex QS-F...1	
Type	Part No.
QS-F-M5-4-1	533924
QS-F-M5-6-1	537014
QS-F-M7-4-1	533925
QS-F-M7-6-1	533926
G thread	
QS-F-G1/8-4-1	533927
QS-F-G1/8-6-1	533928
QS-F-G1/8-8-1	533929
QS-F-G1/4-8-1	533930
QS-F-G1/4-10-1	533931
QS-F-G3/8-12-1	533932

3 Push-in connector QS-F	
Type	Part No.
QS-F-4	533939
QS-F-6	533940
QS-F-8	533941
QS-F-10	533942
QS-F-12	533943
QS-F-14	570432
Reducing	
QS-F-6-4	564889
QS-F-8-6	564890
QS-F-12-8	564891
QS-F-14-10	570433
QS-F-14-12	570434

4 Push-in rotatable L-fitting QSL	
Type	Part No.
QSL-F-M5-4	533849
QSL-F-M5-6	533850
QSL-F-M7-4	533851
QSL-F-M7-6	533852
G thread with sealing ring	
QSL-F-G1/8-4	193418
QSL-F-G1/8-6	193419
QSL-F-G1/8-8	193420
QSL-F-G1/4-6	193421
QSL-F-G1/4-8	193422
QSL-F-G1/4-10	193423
QSL-F-G1/4-12	533853
QSL-F-G3/8-8	193424
QSL-F-G3/8-10	193425
QSL-F-G3/8-12	197486
QSL-F-G3/8-14	570448
QSL-F-G1/2-10	193426
QSL-F-G1/2-12	193427
QSL-F-G1/2-14	570449

5 Push-in L-connector QSL-F

Type	Part No.
QSL-F-4	533860
QSL-F-6	533861
QSL-F-8	533862
QSL-F-10	533863
QSL-F-12	533864
QSL-F-14	533865

6 Push-in bulkhead connector QSS-F

Type	Part No.
QSS-F-4	533909
QSS-F-6	533910
QSS-F-8	533911
QSS-F-10	533912
QSS-F-12	533913
QSS-F-14	570445

7 Push-in rotatable T-fitting QST-F

Type	Part No.
QST-F-M5-4	533914
QST-F-M5-6	533915
QST-F-M7-4	533916
QST-F-M7-6	533917
G thread with sealing ring	
QST-F-G1/8-4	193428
QST-F-G1/8-6	193429
QST-F-G1/8-8	193430
QST-F-G1/4-6	193431
QST-F-G1/4-8	193432
QST-F-G1/4-10	193433
QST-F-G1/4-12	533918
QST-F-G3/8-8	193434
QST-F-G3/8-10	193435
QST-F-G3/8-12	197485
QST-F-G3/8-14	570446
QST-F-G1/2-10	193436
QST-F-G1/2-12	193437
QST-F-G1/2-14	570447

8 Push-in T-connector QST-F

Type	Part No.
QST-F-4	533865
QST-F-6	533866
QST-F-8	533867
QST-F-10	533868
QST-F-12	533869
QST-F-14	570436
Reducing	
QST-F-6-4	533870
QST-F-8-6	533871
QST-F-10-8	533872
QST-F-12-10	533873

9 Push-in Y-connector QSY-F

Type	Part No.
QSY-F-6	533933
QSY-F-8	533935
QSY-F-10	533937
Reducing	
QSY-F-6-4	533934
QSY-F-8-6	533936
QSY-F-10-8	533938

5



QSL-F

6



QSS-F

7



QST-F

8



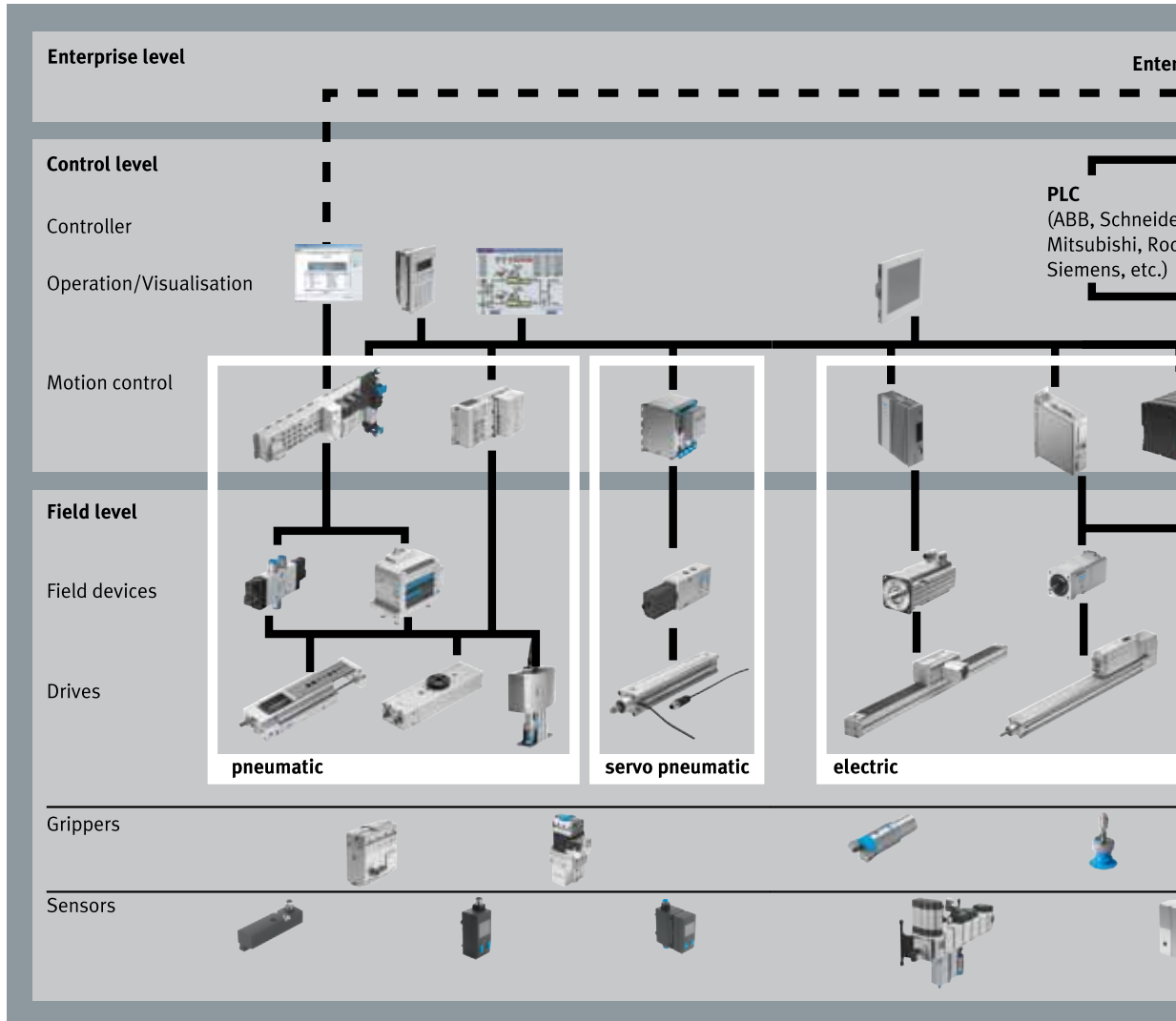
QST-F

9



QSY-F

From factory to process automation ----- www.festo.co.uk



Festo Ltd

Caswell Road
Brackmills
Northampton
NN4 7PY

Tel: 01604 667000
Fax: 01604 667001
Email: info_gb@festo.com
www.festo.com/gb